



ZENITH

POWER PRODUCTS

Service Parts Manual NA434

Availability & Shipping Information



- Part Availability is subject to change based on obsolescence from Original Part Manufacturer.
- Orders on in-stock parts normally ship within 1-2 business days. Please advise if needed sooner. Expedite charges may apply to rush orders.
 - ZPP utilizes UPS small package service (preferred carrier) on a 5-day-per-week basis with 12PM CST pick-up.
 - ZPP can also ship using FedEx Ground and Express services for small packages.
 - DHL is an option for international packages.
 - A \$25 service charge may be applied to orders under \$50.00.
- Customers have the option of using their own collect account or being invoiced for the freight charges.
- All shipments are FOB origin unless otherwise specified (this includes any drop-shipments made from ZPP's suppliers).

*Images are for illustrative purposes only and may differ from the actual product.

NS - Part is not be available for purchase.

Engine Sub-system Index



Engine Subsystem	Page
Recommended Parts Stock List	4
Cylinder Block Group	5
Cylinder Head Group	6
Cylinder Head Cover	7
Water Pump Group	8
Thermostat Group	9
Breather Group	10
Cooling Water Pipe Group	11
Cooling Fan Group	12
Rocker Arm Group	13
Tappet / Pushrod Group	14
Camshaft Drive	15
Flywheel Group	16
Oil Pump Group	17
Oil Filter Group	18
Oil Pan / Oil Level Gauge	19
Oil Seal Group	20
Piston Group	21

Engine Subsystem	Page
Connecting Rod Group	22
Crankshaft Group	23
Flywheel Group	24
Intake Manifold Group	25
Exhaust Manifold Group	27
Alternator Group	29
Wire Harness Group	30
Switches / Sensors Group	31
Miscellaneous Parts	32
Support Group	33
Intake Group	37
Fuel Group	38
Cooling Group	39
Lock-off Group	41
Exhaust Group	43

Recommended Parts Stock List

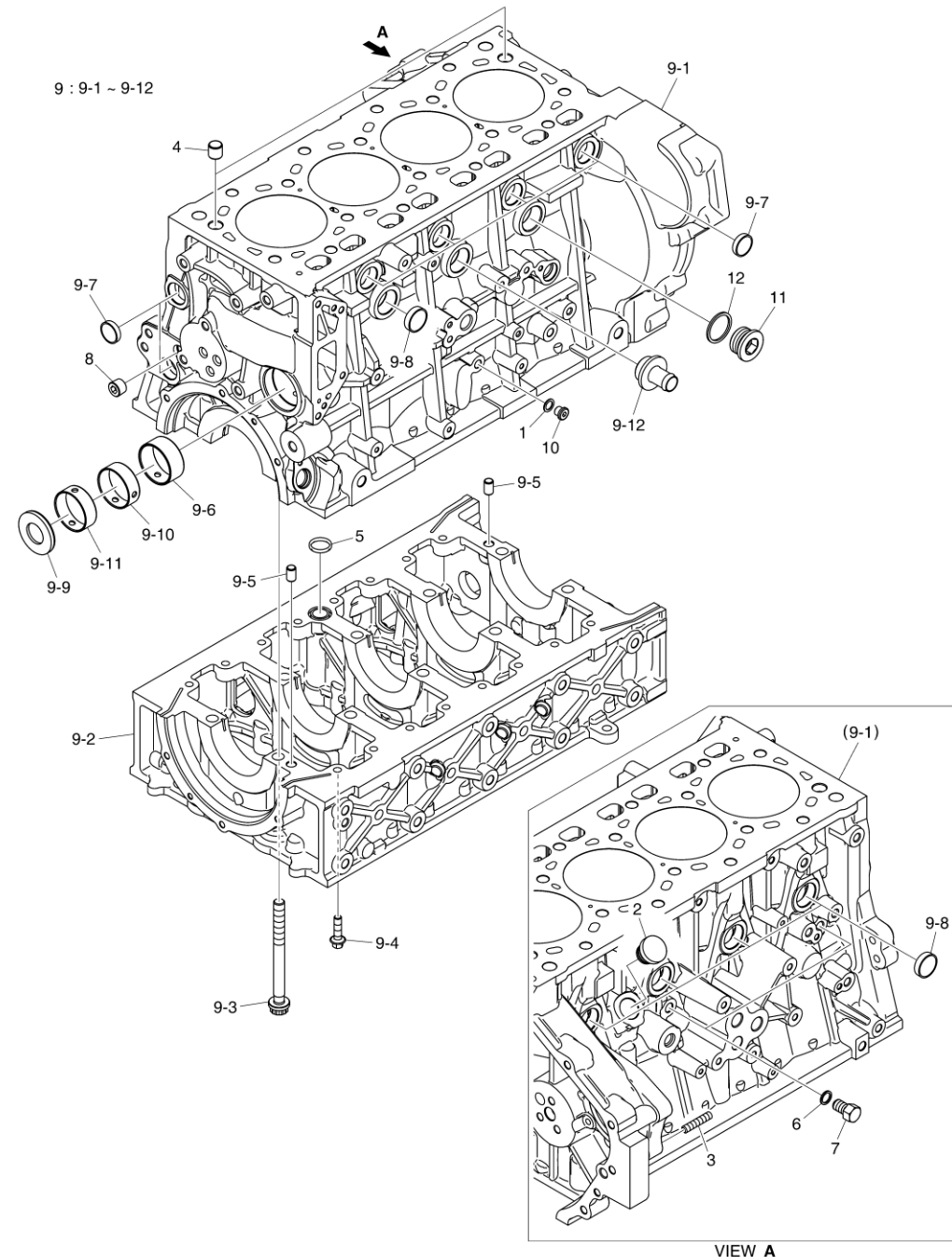


Part Number	Description
204434	FAN
130205-01028	SERPENTINE BELT
204433	RADIATOR
201388	LOW COOLANT SWITCH
101550-00119	MIXER
310207-14201	MASTER HARNESS
204469	INTERMEDIATE HARNESS
200114	CUSTOMER INTERFACE HARNESS: NEMA
204656	CATALYST GASKET
201469	LOCK-OFF
200977	AIR CLEANER
200476	AIR FILTER
204502	UPPER COOLANT HOSE
204630	LOWER COOLANT HOSE
204729	ECOM DATALINK DIAGNOSTIC KIT
300715-00154C	IGNITION COIL
410139-00132	THROTTLE
203413	DEPR

Part Number	Description
400603-00184B	GASKET,CYLINDER HEAD
400617-00034A	GASKET,INTAKE MANIFOLD
400618-00027	GASKET,AIR INTAKE
400610-00083	GASKET,EXHAUST MANIFOLD
300738-00129	THERMOSTAT ASSY (82°C)
301317-00014E	SENSOR, COOLANT TEMP
301308-00977	MAP/IAT SENSOR
301310-00092	SENSOR,CRANK
301308-01004	SENSOR,CAM
301308-00973	SENSOR,KNOCK
301308-01133A	SENSOR,OIL PRESSURE
201280	O2 SENSOR,PRE AND POST CAT
400508-00109	OIL FILTER
300901-00219	ALTERNATOR
130206-0007	ALTERNATOR TENSIONER
300516-00147D	STARTER
400921-00629F	PUMP ASSY,WATER
400629-00037	GASKET,TURBOCHARGER
204653	SPARK PLUG
300618-00146	ECM

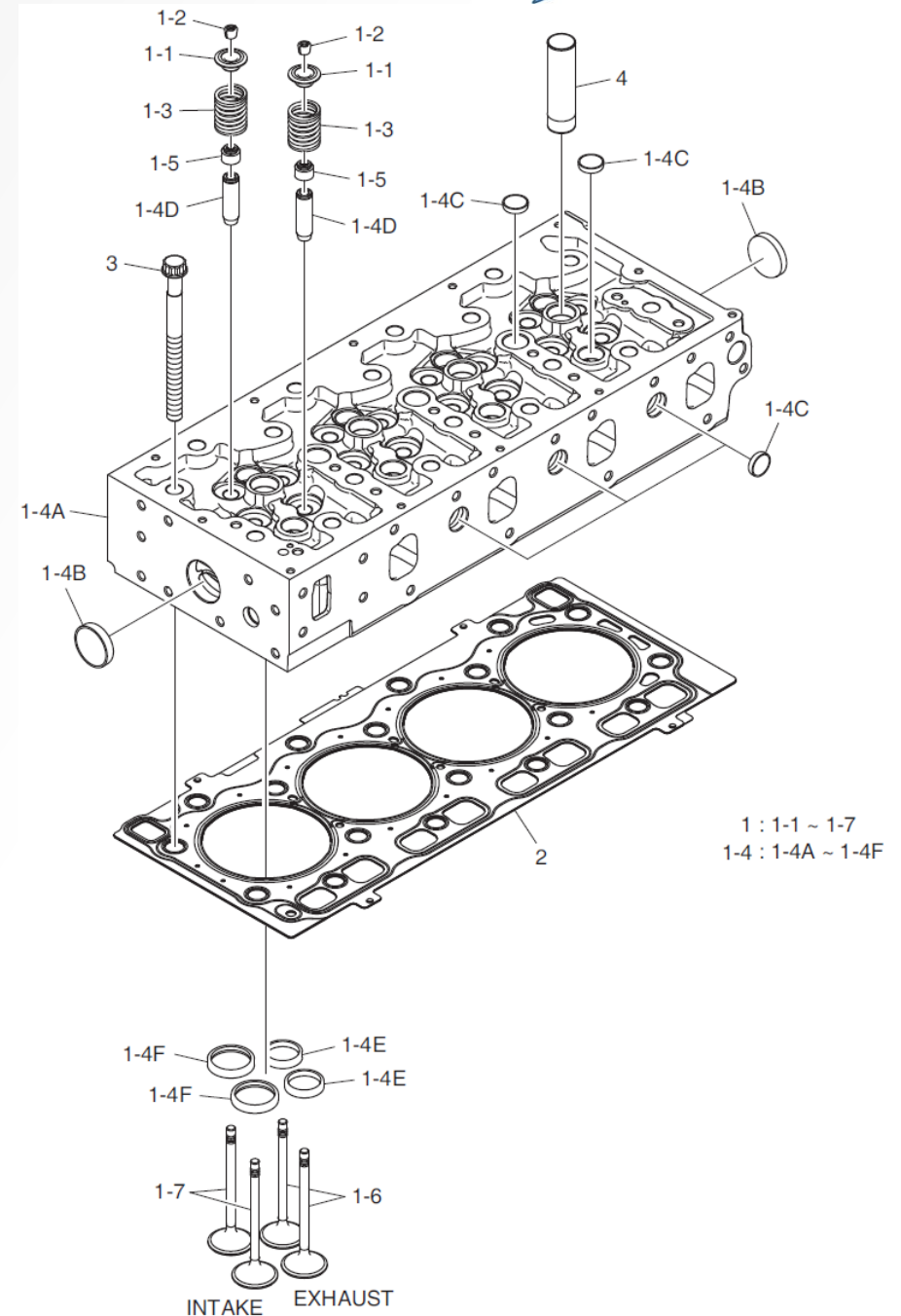
Cylinder Block Group

Item No	Part Number	Description	Qty
1	06.56180-0714	RING,SEAL A10x15	1
2	110508-34630A	COVER,HEATER	1
3	120117-00324	BOLT,STUD M8x1.25	3
4	120501-00139	PIN,LOCATING	2
5	401109-00135	RING,SEAL	1
6	06.56190-0703	RING,SEAL A12x16	2
7	65.90310-0091	SCREW,PLUG M12x1.5	2
8	120705-01062	SCREW,PLUG	1
9	150102-01244D	BLOCK ASSY,CYLINDER	NS
9-1	150102-01245C	BLOCK,CYLINDER	NS
9-2	110970-00100	CASE,CRANK	1
9-3	120112-00184A	BOLT,BEARING CAP M12x1.5x133	10
9-4	89CM830	BOLT,HEX FLANGE M8x1.25x30	16
9-5	120501-00660	PIN,LOCATING	2
9-6	131002-00998	BUSHING,CAMSHAFT	1
9-7	65.90302-0048	PLUG,CORE	6
9-8	65.90302-0041	PLUG,CORE	5
9-9	110508-13222	COVER	1
9-10	131002-00999	BUSHING,CAMSHAFT	1
9-11	131002-01000	BUSHING,CAMSHAFT	1
9-12	430221-00120A	PLUG,EGR COOLER	1
10	120705-01957	SCREW,PLUG	1
11	06.08041-2211	SCREW,PLUG M30x1.5	1
12	06.56190-0732	RING,SEAL A30x36	1



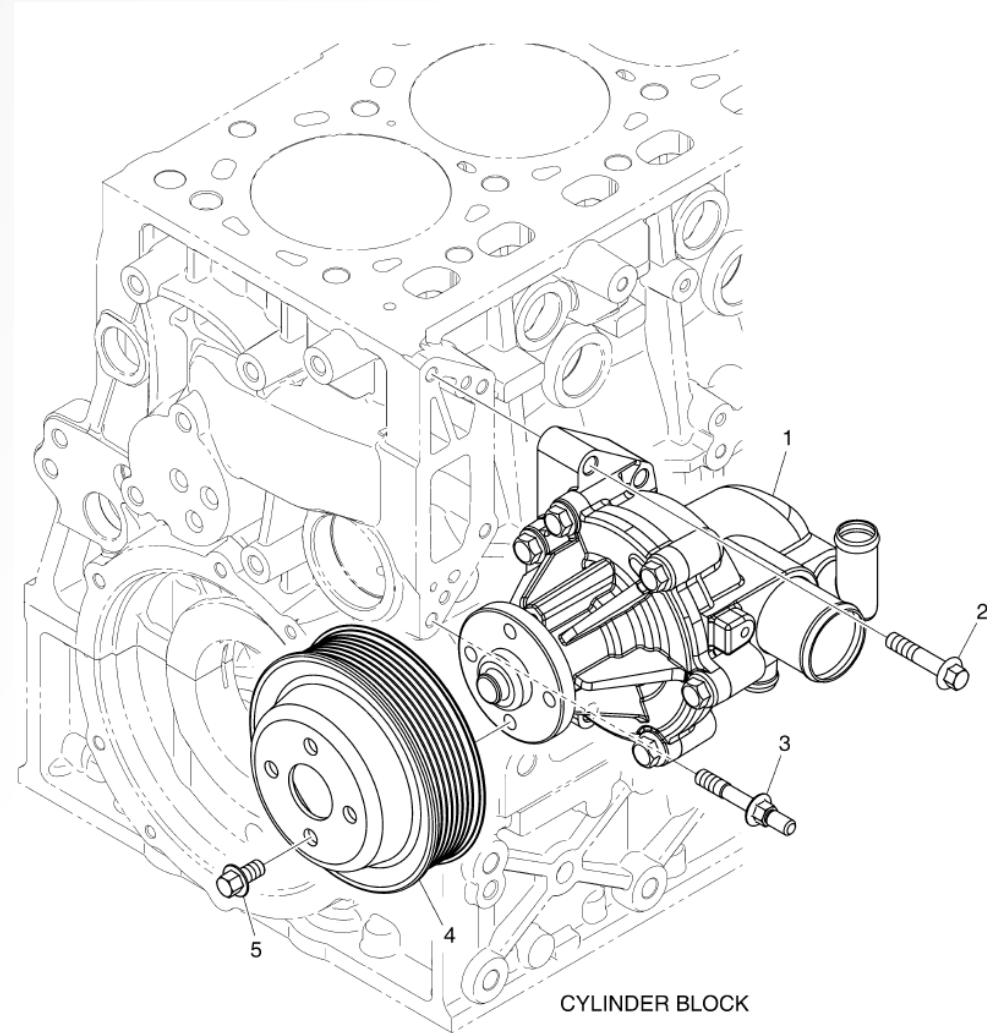
Cylinder Head Group

Item No	Part Number	Description	Qty
1	150113-00693B	HEAD ASSY,CYLINDER	1
1-1	110943-00184	RETAINER,VALVE SPRING	16
1-2	110971-00040	COTTER	32
1-3	111601-00130	SPRING,VALVE	16
1-4	150113-00694D	HEAD ASSY,CYLINDER	1
1-4A	150113-00695C	HEAD,CYLINDER	NS
1-4B	65.90302-0032	PLUG,CORE	2
1-4C	65.90302-0045	PLUG,CORE	14
1-4D	110922-00008A	GUIDE,VALVE	16
1-4E	410206-00184	SEAT,VALVE (EXHAUST)	8
1-4F	410206-00191	SEAT,VALVE (INTAKE)	8
1-5	401112-00001	SEAL,VALVE STEM	16
1-6	410112-00120	VALVE,EXHAUST	8
1-7	410112-00119	VALVE,INLET	8
2*	400603-00208A	GASKET,CYLINDER HEAD: GRADE A (1.02)	1
2*	400603-00209A	GASKET,CYLINDER HEAD: GRADE B (1.12)	1
2*	400603-00210A	GASKET,CYLINDER HEAD: GRADE C (1.22)	1
3	120106-01257	CYLINDER HEAD BOLT M12x1.25x141	18
4	110949-01364A	SLEEVE	4



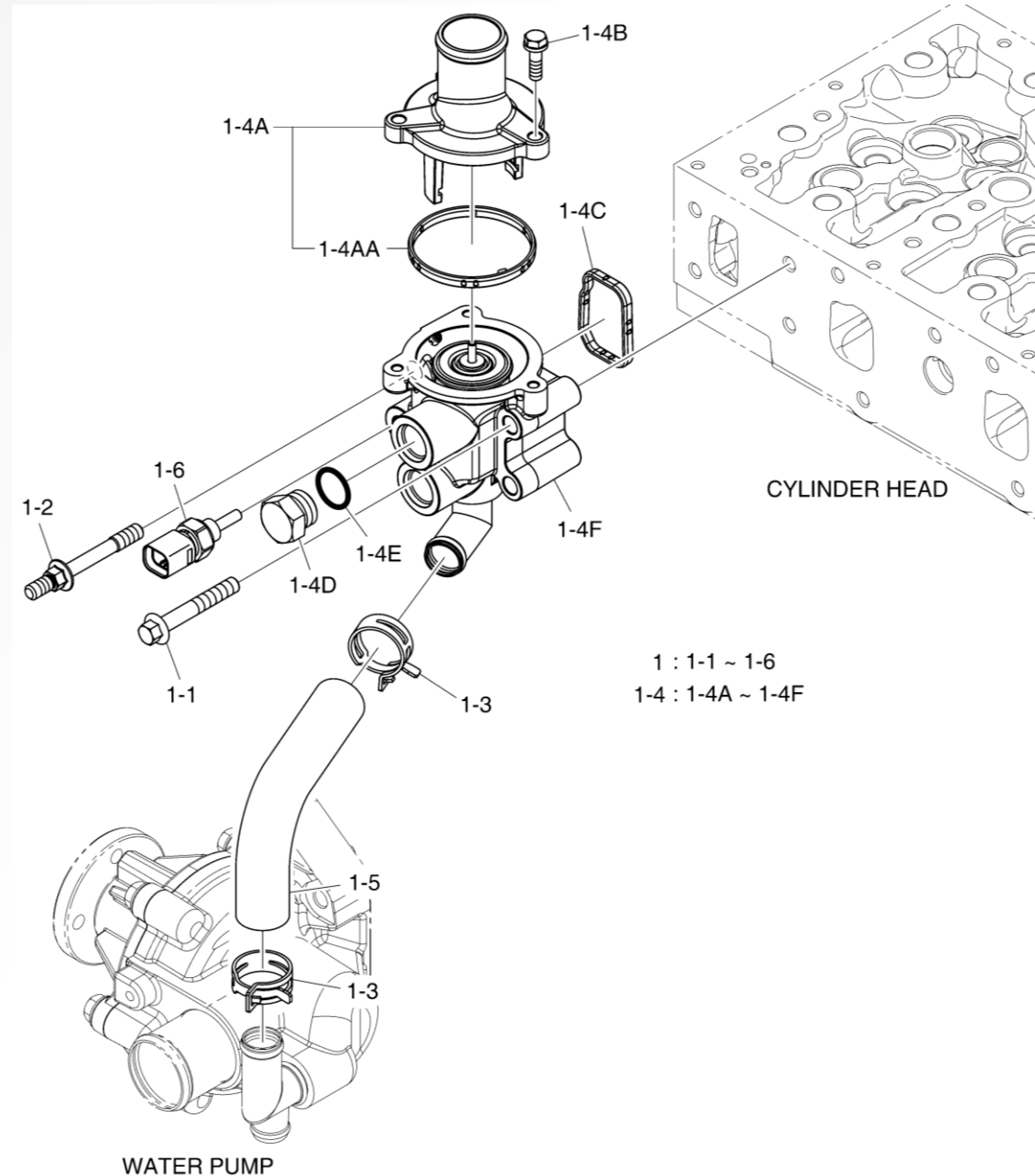
Water Pump Group

Item No	Part Number	Description	Qty
1	400921-00629F	PUMP ASSY,WATER	1
2	89CM840	BOLT,HEX FLANGE M8x1.25x40	3
3	120122-00080	BOLT,SPACER	1
4	130707-00830A	PULLEY,WATER PUMP	1
5	89CM816	BOLT,HEX FLANGE M8x1.25x16	4



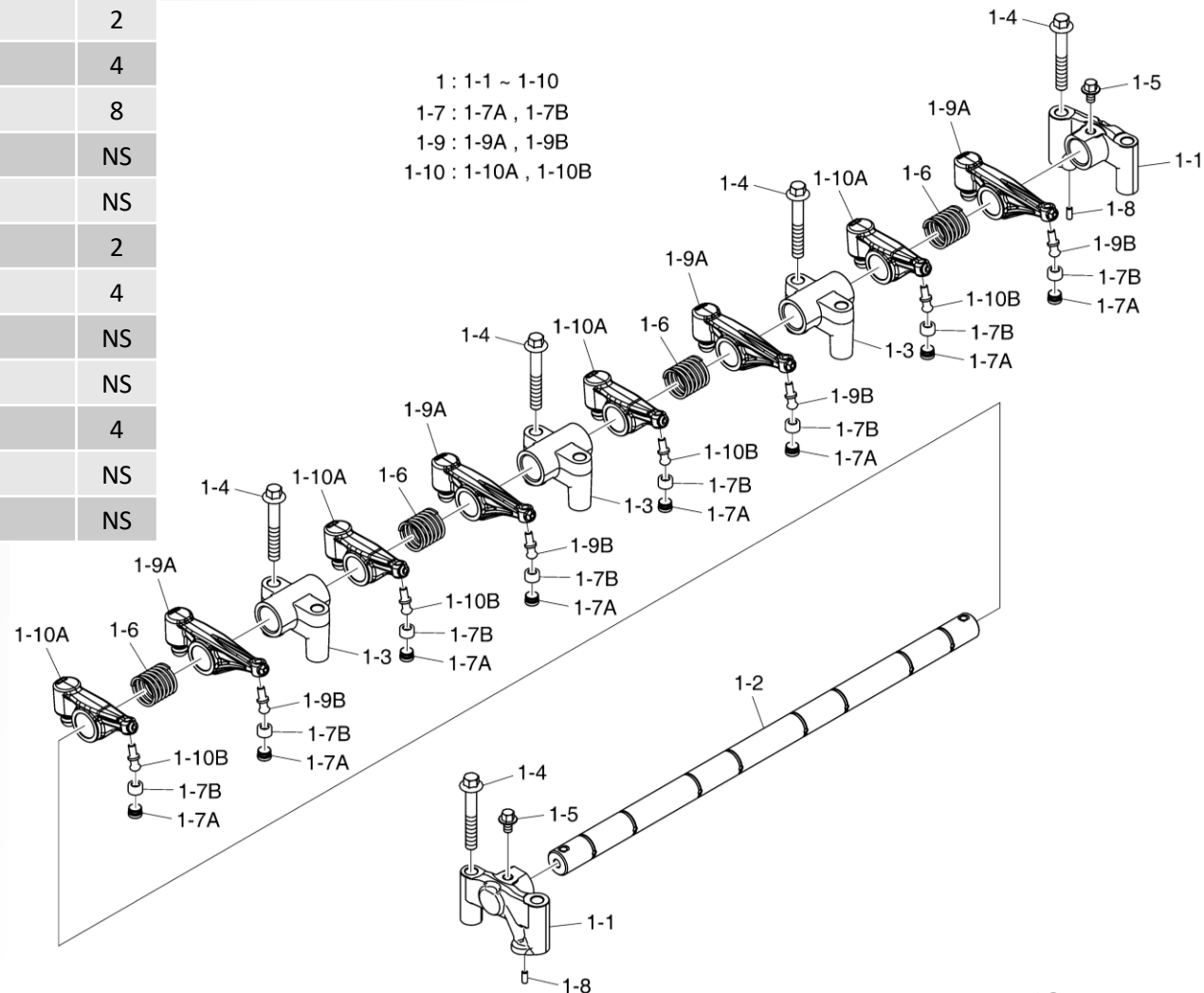
Thermostat Group

Item No	Part Number	Description	Qty
1	110980-00368A	HOUSING ASSY,THERMOSTAT;SUB ASSY	NS
1-1	89CM855	BOLT,HEX FLANGE M8x1.25x55	3
1-2	120122-00091	BOLT,SPACER M8x1.25 (8.8T)	1
1-3	120202-00118	CLAMP,HOSE	2
1-4	110980-00276A	HOUSING ASSY,THERMOSTAT	1
1-4A	300738-00129	THERMOSTAT ASSY (82°C)	1
1-4AA	400606-00909	PACKING,COVER	1
1-4B	120106-00589	BOLT,HEX M6x1.0x20	3
1-4C	400606-00910	PACKING,RUBBER	1
1-4D	430221-00982	SCREW,PLUG PT3/4	2
1-4E	401002-01173	O-RING	2
1-4F	110980-00280A	HOUSING,THERMOSTAT	1
1-5	420109-00270A	HOSE,BYPASS	1
1-6	301317-00014E	SENSOR, COOLANT TEMP.	1



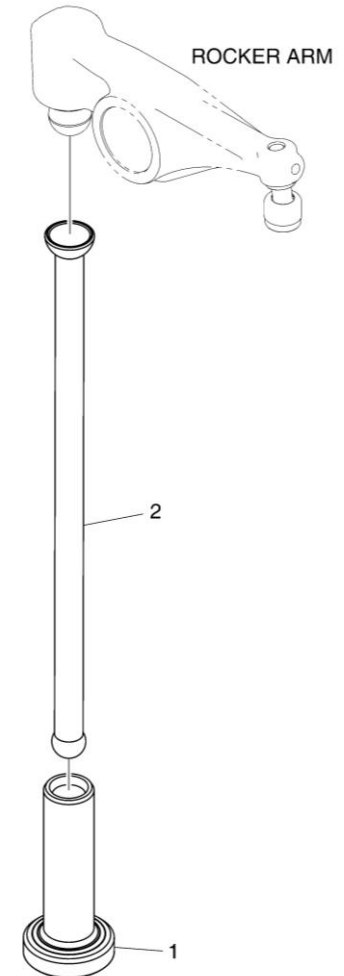
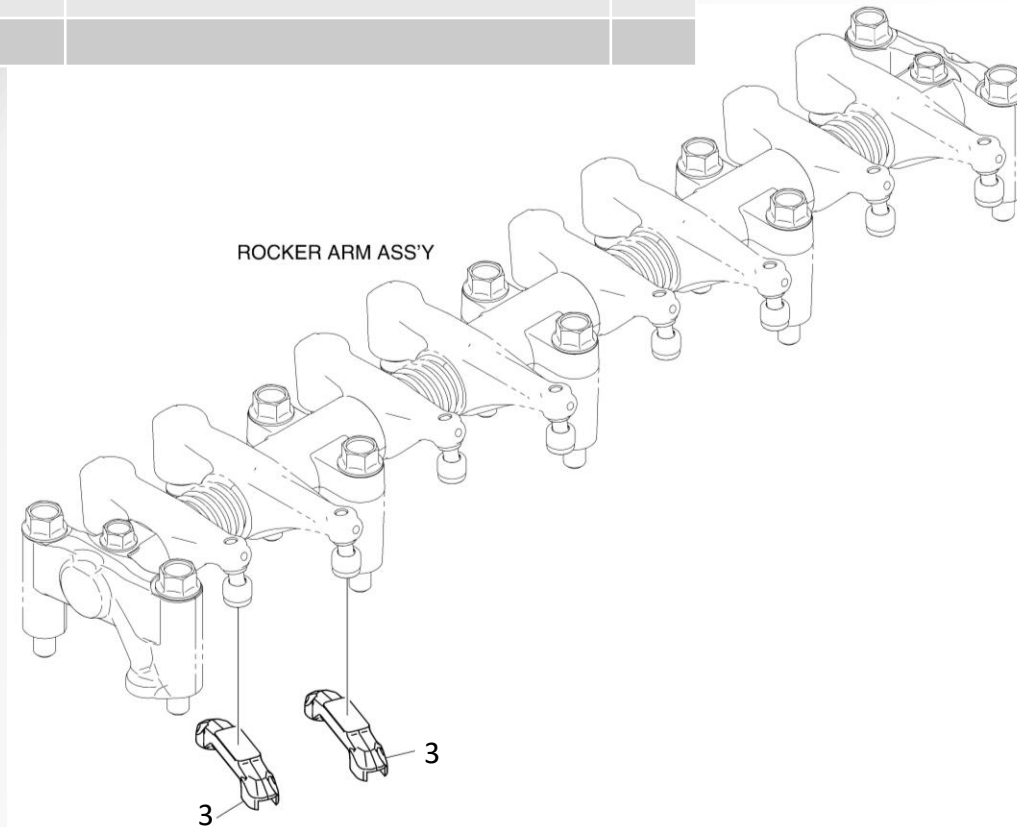
Rocker Arm Group

Item No	Part Number	Description	Qty
1	150122-00223B	SHAFT ASSY,ROCKER ARM	1
1-1	110424-00067	BRACKET ASSY,ROCKER ARM	2
1-2	150122-00171	SHAFT,ROCKER ARM	1
1-3	110424-00068	BRACKET ASSY,ROCKER ARM	3
1-4	89CM855	BOLT,HEX FLANGE M8x1.25x55	10
1-5	120106-01421	BOLT,HEX FLANGE M6x1.0x10	2
1-6	111602-00120	SPRING,COMPRESSION	4
1-7	120701-00086	CAP,ADJUST SCREW	8
1-7A	120701-00056	CAP,ADJUST SCREW	NS
1-7B	120701-00087	CAP,SCREW	NS
1-8	06.22022-0707	PIN,PARALLEL	2
1-9	150101-00265	ARM ASSY,ROCKER (INTAKE)	4
1-9A	150101-00162	ARM ASSY,ROCKER (INTAKE)	NS
1-9B	130510-01414A	SCREW,BALL	NS
1-10	150101-00266	ARM ASSY,ROCKER (EXHAUST)	4
1-10A	150101-00163	ARM ASSY,ROCKER (EXHAUST)	NS
1-10B	130510-01414A	BALL SCREW	NS



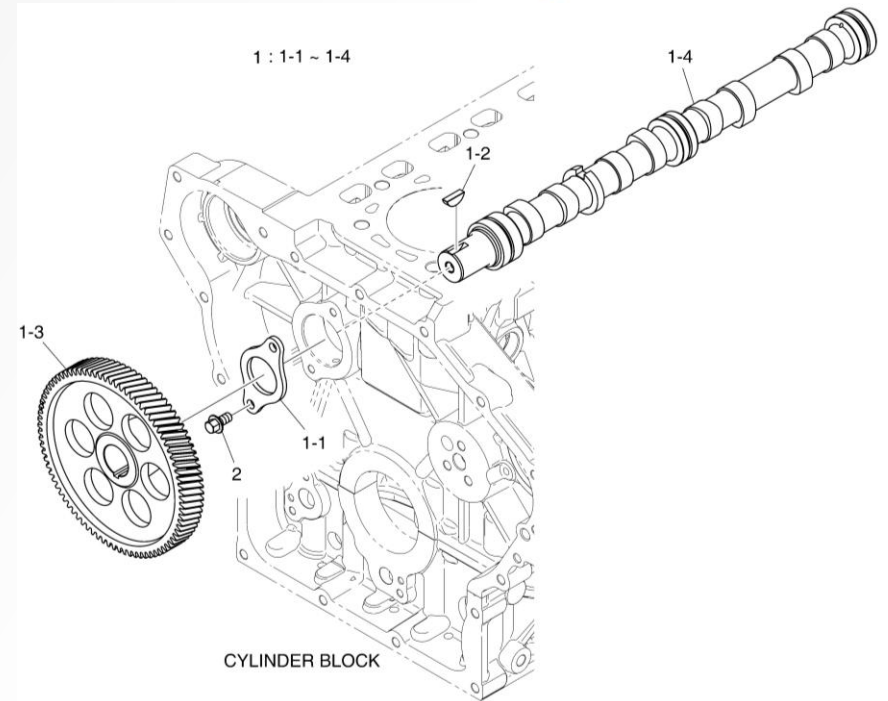
Tappet / Pushrod Group

Item No	Part Number	Description	Qty
1	150125-00044	TAPPET	8
2	150123-00199	ROD,PUSH	8
3	150124-00033	CALIPER	8

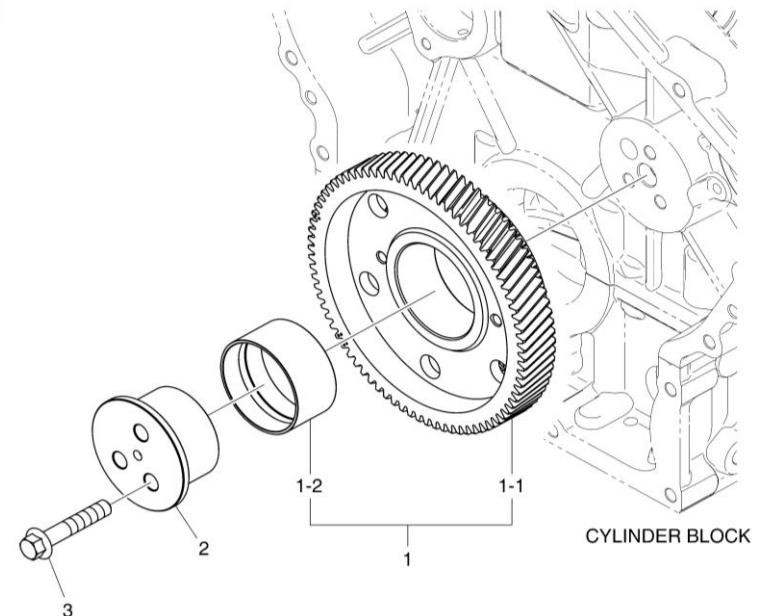


Camshaft Drive Group

Item No	Part Number	Description	Qty
1	150103-00218C	CAMSHAFT ASSY	NS
1-1	120816-00204	WASHER,THRUST	1
1-2	06.29141-0215	KEY,WOODRUFF	1
1-3	130408-00059A	GEAR,CAMSHAFT	1
1-4	150103-00219B	CAMSHAFT	1
2	89CM816	BOLT,HEX FLANGE M8x1.25x16	2

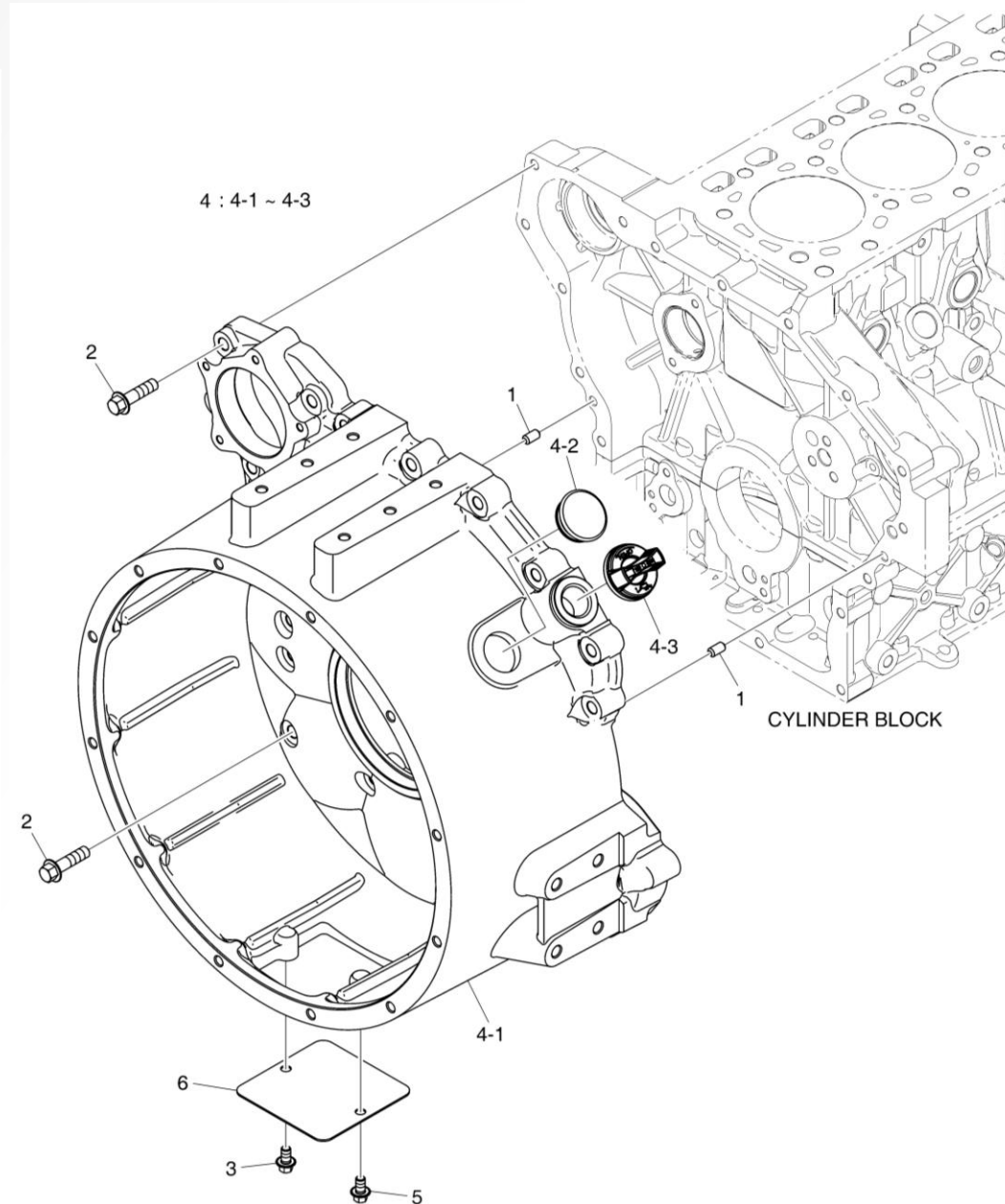


Item No	Part Number	Description	Qty
1	130428-00016E	GEAR ASSY,IDLE	1
1-1	130428-00017E	GEAR,IDLE	NS
1-2	130717-00003	BUSHING,GEAR	NS
2	130712-00913B	SHAFT,IDLE GEAR	1
3	89CM1055	BOLT,HEX FLANGE M10x55	3



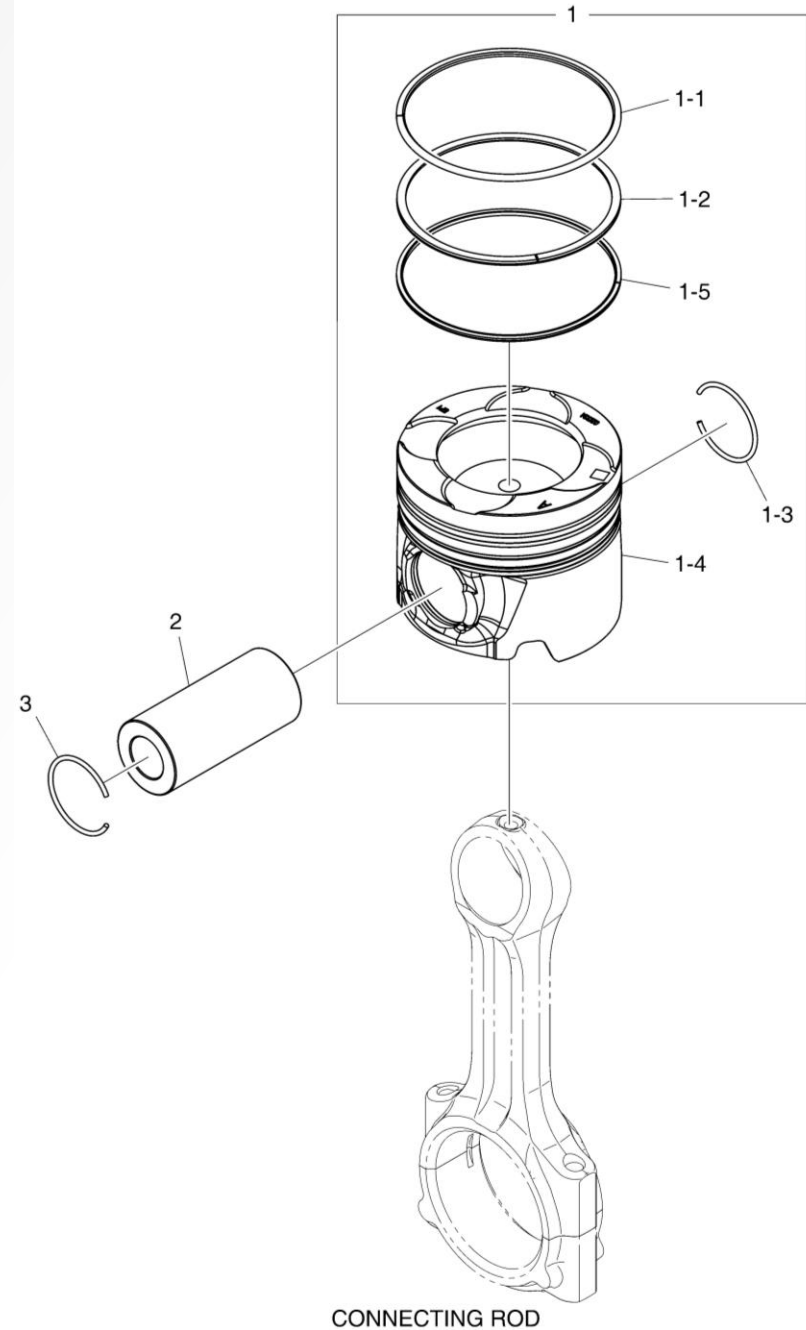
Flywheel Housing Group

Item No	Part Number	Description	Qty
1	06.22022-1010	PIN,PARALLEL	2
2	90CM1040	BOLT,HEX FLANGE M10x40	19
3	89CM814	BOLT,HEX FLANGE M8x1.25x14	1
4	150114-00596A	HOUSING ASSY,FLYWHEEL	1
4-1	150114-00584A	HOUSING,FLYWHEEL	1
4-2	65.96401-0007	CAP,RUBBER	1
4-3	110911-00161A	CAP ASSY,OIL FILLER	1
5	89CM814	BOLT,HEX FLANGE M8x1.25x14	1
6	110524-00005	COVER,FLYWHEEL HOUSING	1
Not Pictured	110531-00026	PTO COVER	1
	400602-01047	PTO COVER GASKET	1



Piston Group

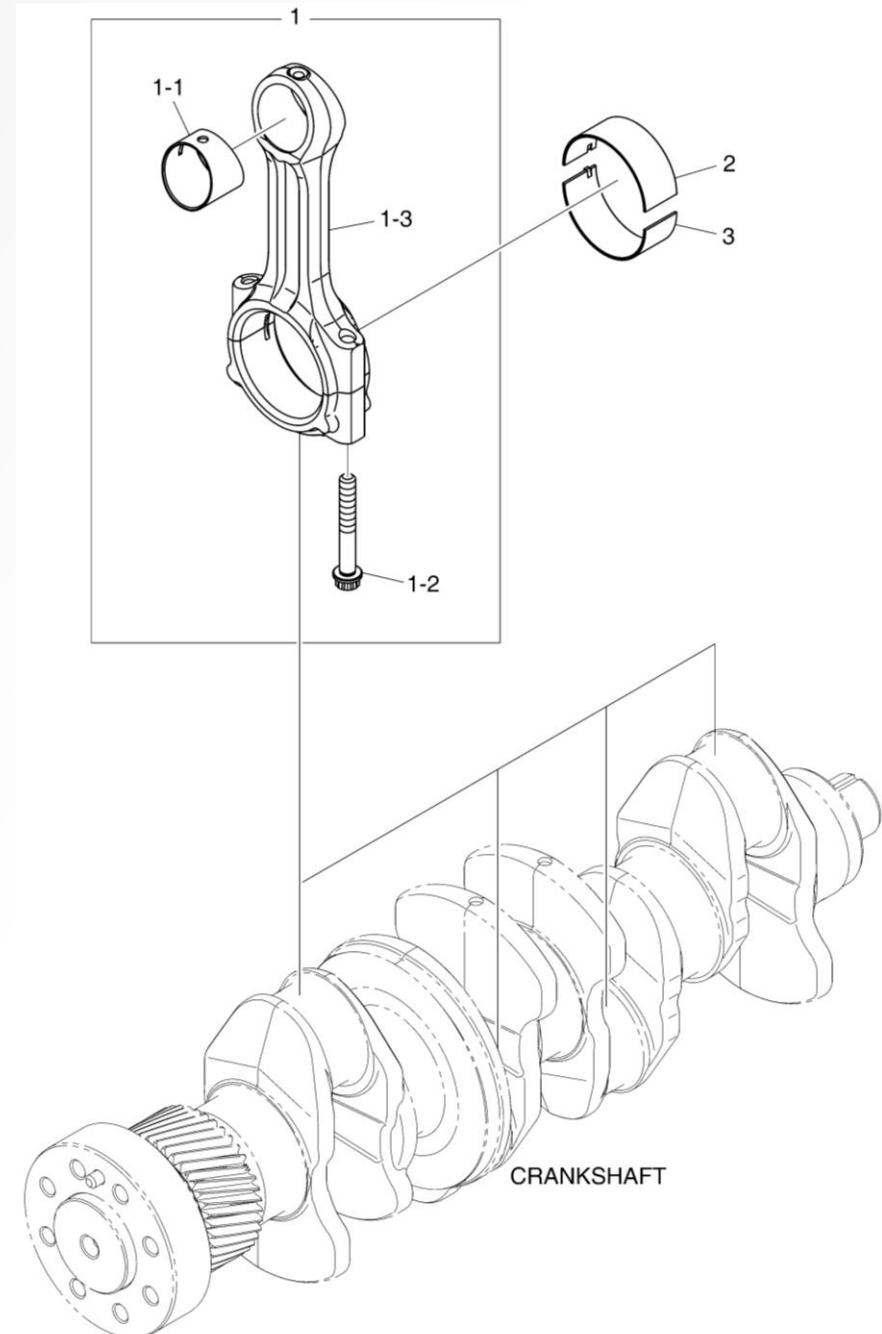
Item No	Part Number	Description	Qty
1	130602-02342A	PISTON ASSY	4
1-1	401004-00199	RING,PISTON (TOP)	NS
1-2	401004-00176	RING,PISTON (2ND)	NS
1-3	111104-00888	RING,SNAP	4
1-4*	130602-02325	PISTON – GRADE A	
1-4*	130602-02326	PISTON – GRADE B	
1-5	401004-00198	RING,PISTON (OIL)	NS
2	130601-00027B	PIN,PISTON	4
3	111104-00888	RING,SNAP	4
	401004-00275	PISTON RING KIT	1



CONNECTING ROD

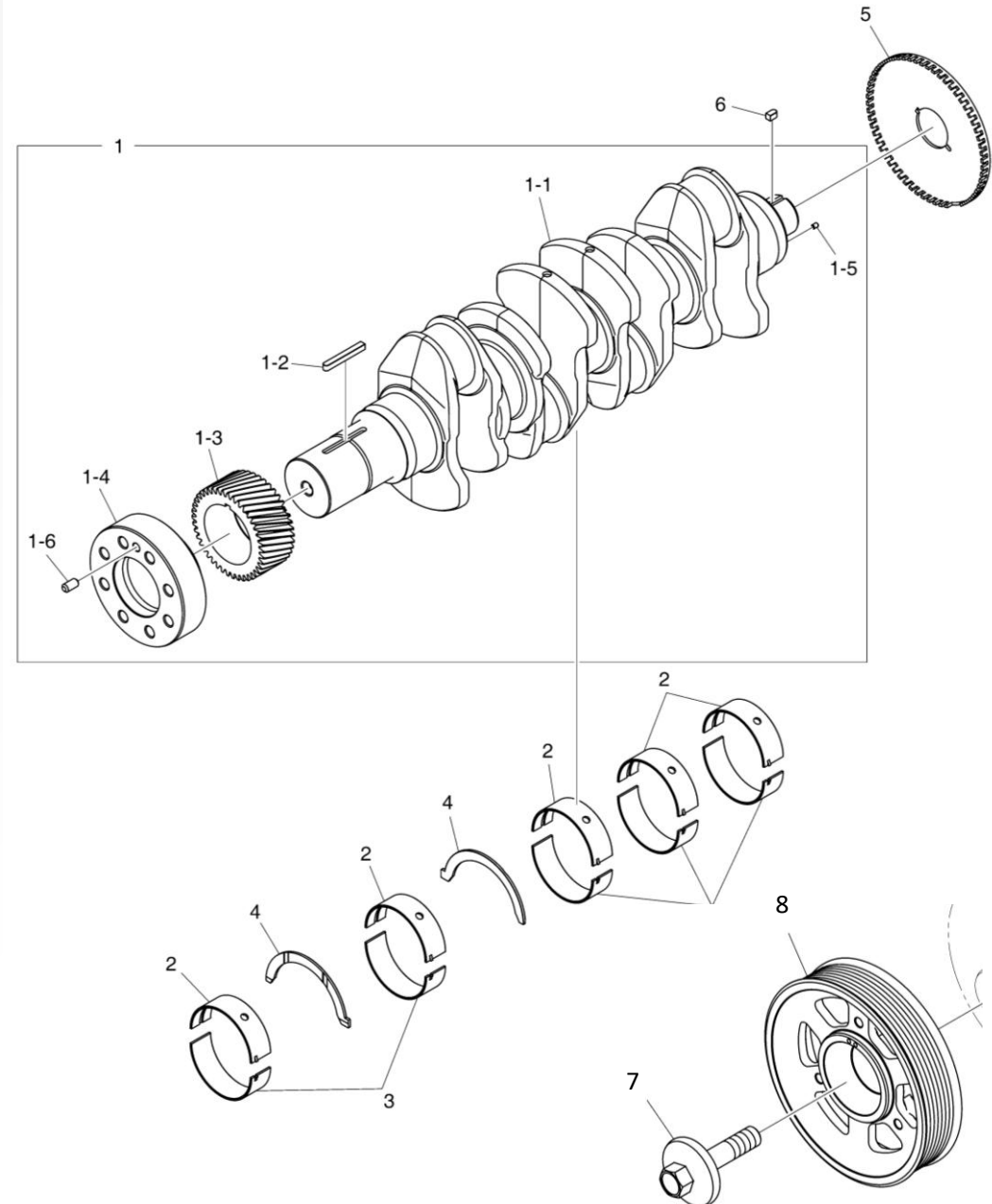
Connecting Rod Group

Item No	Part Number	Description	Qty
1*	150121-00525C	CON-ROD ASSY – GRADE A	
1*	150121-00526C	CON-ROD ASSY – GRADE B	
1*	150121-00527C	CON-ROD ASSY – GRADE C	
1*	150121-00528C	CON-ROD ASSY – GRADE D	
1*	150121-00529C	CON-ROD ASSY – GRADE E	
1*	150121-00530C	CON-ROD ASSY – GRADE F	
1-1	131002-01774A	BUSHING,CONNECTING ROD	1
1-2	120112-02396	BOLT,CON-ROD M9x1.0x66	2
1-3	150121-00520A	ROD,CONNECTING	NS
2	140112-00139	BEARING,CON-ROD (UPPER,YELLOW)	4
3	140112-00141	BEARING,CON-ROD (LOWER,YELLOW)	4

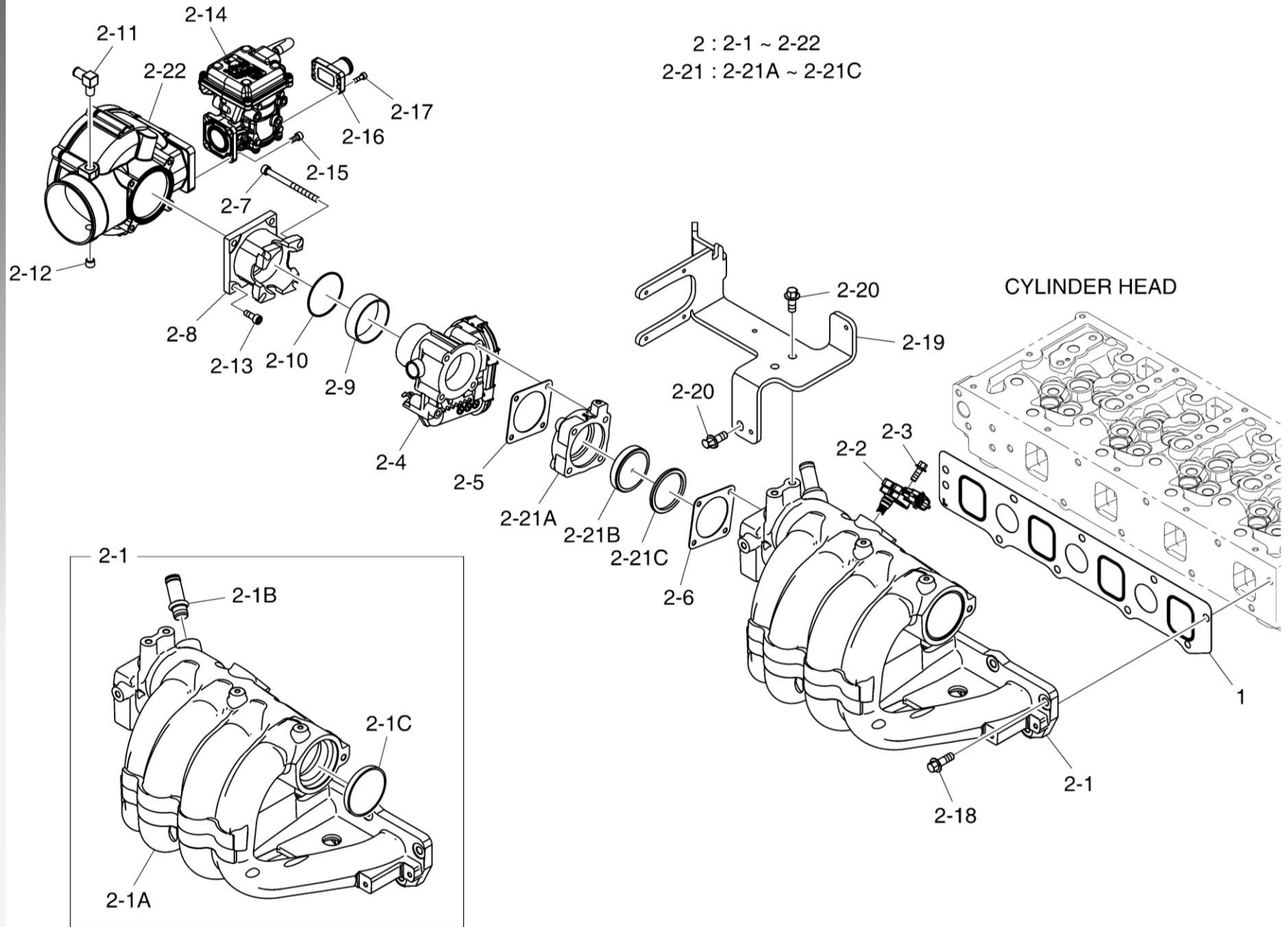


Crankshaft Group

Item No	Part Number	Description	Qty
1	150107-00957	CRANKSHAFT ASSY	1
1-1	150107-00958	CRANKSHAFT	NS
1-2	06.29071-2516	KEY,SUNK	1
1-3	130410-00006D	GEAR,CRANKSHAFT	1
1-4	430215-00534B	FLANGE,COUPLING	1
1-5	06.22022-0705	PIN,PARALLEL	1
1-6	06.22022-1010	PIN,PARALLEL	1
2*	140103-00188A	BEARING,MAIN (UPPER,RED)	5
2*	140103-00189A	BEARING,MAIN (UPPER,YELLOW)	5
2*	140103-00190A	BEARING,MAIN (UPPER,BLUE)	5
3*	140103-00192A	BEARING,MAIN (LOWER,RED)	5
3*	140103-00193A	BEARING,MAIN (LOWER,YELLOW)	5
3*	140103-00194A	BEARING,MAIN (LOWER,BLUE)	5
4	120816-00237	WASHER,THRUST	2
5	111401-00002B	WHEEL,TIMING	1
6	06.29071-2503	KEY,SUNK	1
7	120106-00171B	BOLT,HEX FLANGE M14x1.5x55	1
8	130711-00346	PULLEY,CRANKSHAFT (8PK)	1



Intake Manifold Group

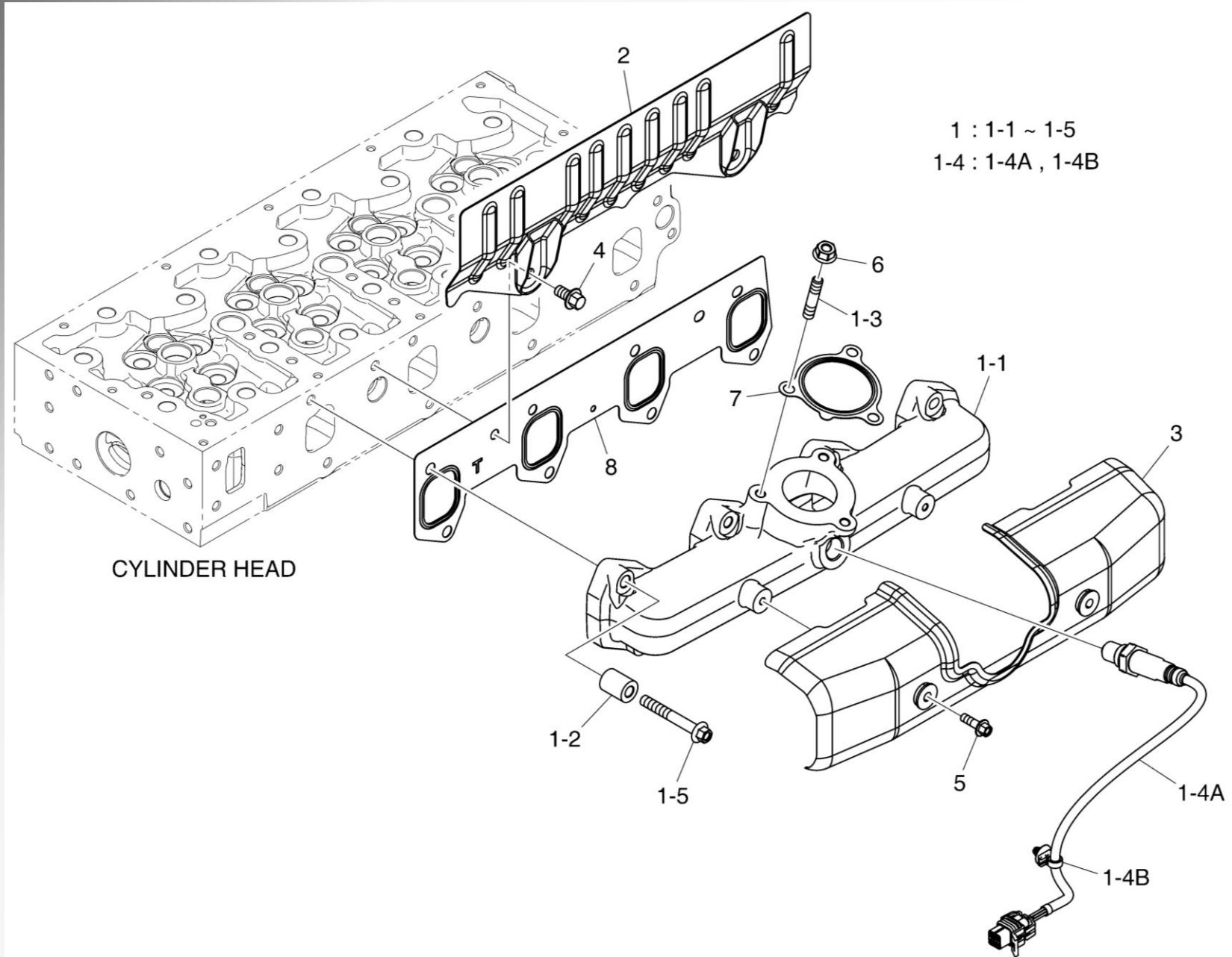


Intake Manifold Group

Item No	Part Number	Description	Qty
1	400617-00034A	GASKET,INTAKE MANIFOLD	1
2	240203-00538	MANIFOLD ASSY,INTAKE	1
2-1	240203-00370D	MANIFOLD,INTAKE	1
2-1A	240203-00408B	MANIFOLD,INTAKE	1
2-1B	430221-00665	PLUG,OIL	1
2-1C	65.90302-0009	PLUG,CORE	1
2-2	301308-00977	SENSOR,MAP	1
2-3	89CM616	BOLT,HEX FLANGE M6x1.0x16	1
2-4	410139-00132	VALVE ASSY,THROTTLE	1
2-5	400618-00027	GASKET,AIR INTAKE	1
2-6	400618-00027	GASKET,AIR INTAKE	1
2-7	18GM680	BOLT,HEX SOCKET HEAD (M6X1.0X80)	4
2-8	300202-00153E	ADAPTER,CONNECTOR	1
2-9	110951-02202	SPACER,RING	1
2-10	401002-01952	O-RING	1

Item No	Part Number	Description	Qty
2-11	430201-02590	ADAPTER,CONNECTOR	1
2-12	65.90320-0022	SCREW,PLUG PT1/8	1
2-13	18GM616	BOLT,HEX SOCKET HEAD	4
2-14	203413	CONTROLLER,FLOW	1
2-15	120107-00609	BOLT,SOCKET HEAD M5x0.8x12	4
2-16	430201-02001	ADAPTER,HOSE	1
2-17	120107-00606	BOLT,SOCKET HEAD M4x0.7x14	4
2-18	89CM825	BOLT,HEX FLANGE M8x1.25x25	9
2-19	110452-00428B	BRACKET,WIRE HARNESS	1
2-20	89CM820	BOLT,HEX FLANGE M8x1.25x20	3
2-21	430201-03051	ADAPTER	1
2-21A	430201-03049	ADAPTER	1
2-21B	980202-00029A	ARRESTOR,FLASHBACK	1
2-21C	110958-05825	SUPPORT,RING	1
2-22	101550-00119	MIXER,GAS	1

Exhaust Manifold Group

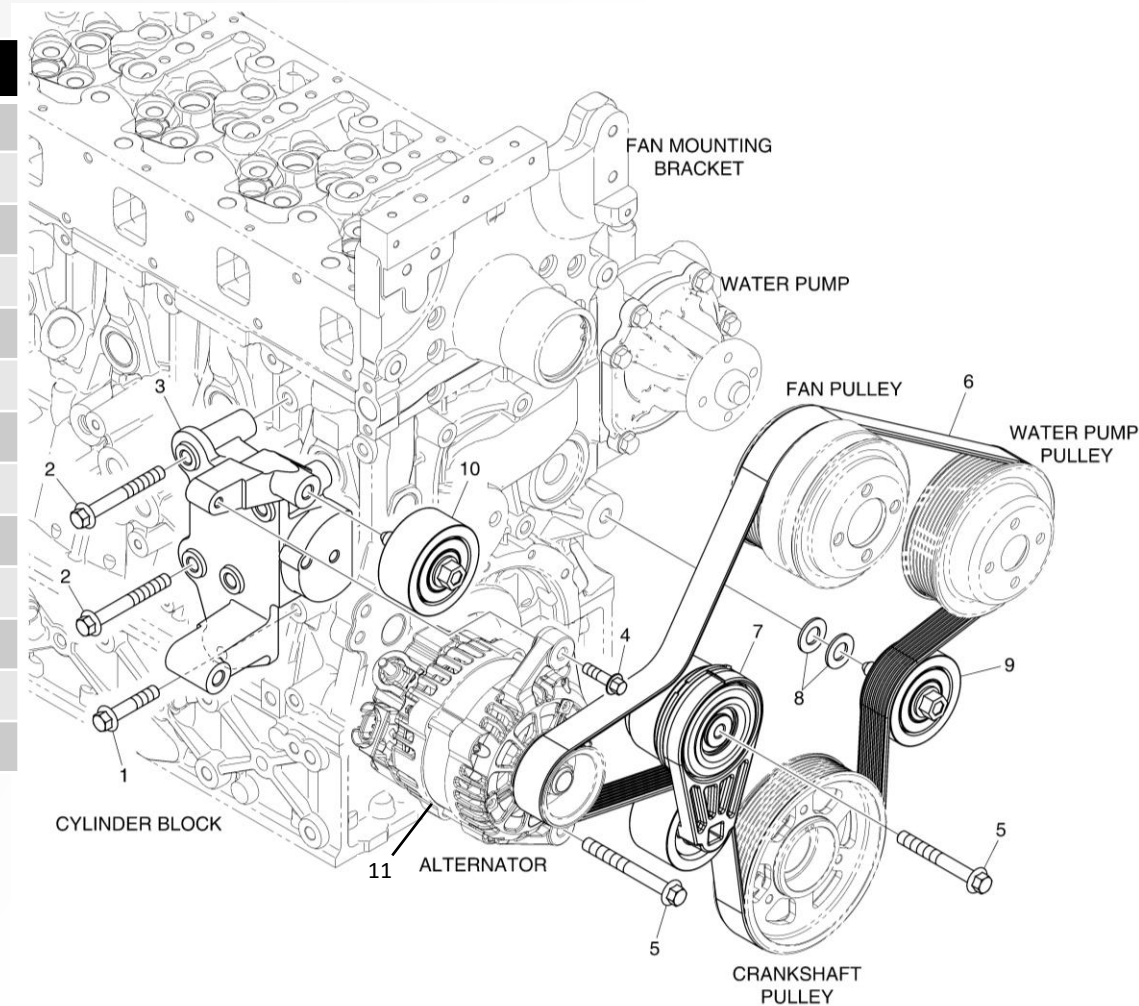


Exhaust Manifold Group

Item No	Part Number	Description	Qty
1	240102-00816B	MANIFOLD ASSY,EXHAUST	NS
1-1	240102-00620B	MANIFOLD,EXHAUST	1
1-2	120106-01352	BOLT,HEX FLANGE M8x1.25x60	8
1-3	120117-00191	BOLT,STUD M8	3
1-4	301308-01223	SENSOR ASSY	NS
1-4A	201280	SENSOR, POST CAT O2	1
1-4B	310101-00249	TIE,CABLE	NS
1-5	110951-02820	SPACER	8
2	111002-00286B	SHIELD,HEAT	1
3	111002-00287B	PROTECTOR,HEAT	1
4	89CM814	BOLT,HEX FLANGE M8x1.25x14	2
5	120106-01328	BOLT,HEX FLANGE M6x1.0x20	2
6	43DM8	NUT M8x1.25	3
7	204656	GASKET,TURBOCHARGER	1
8	400610-00083	GASKET,EXHAUST MANIFOLD	1

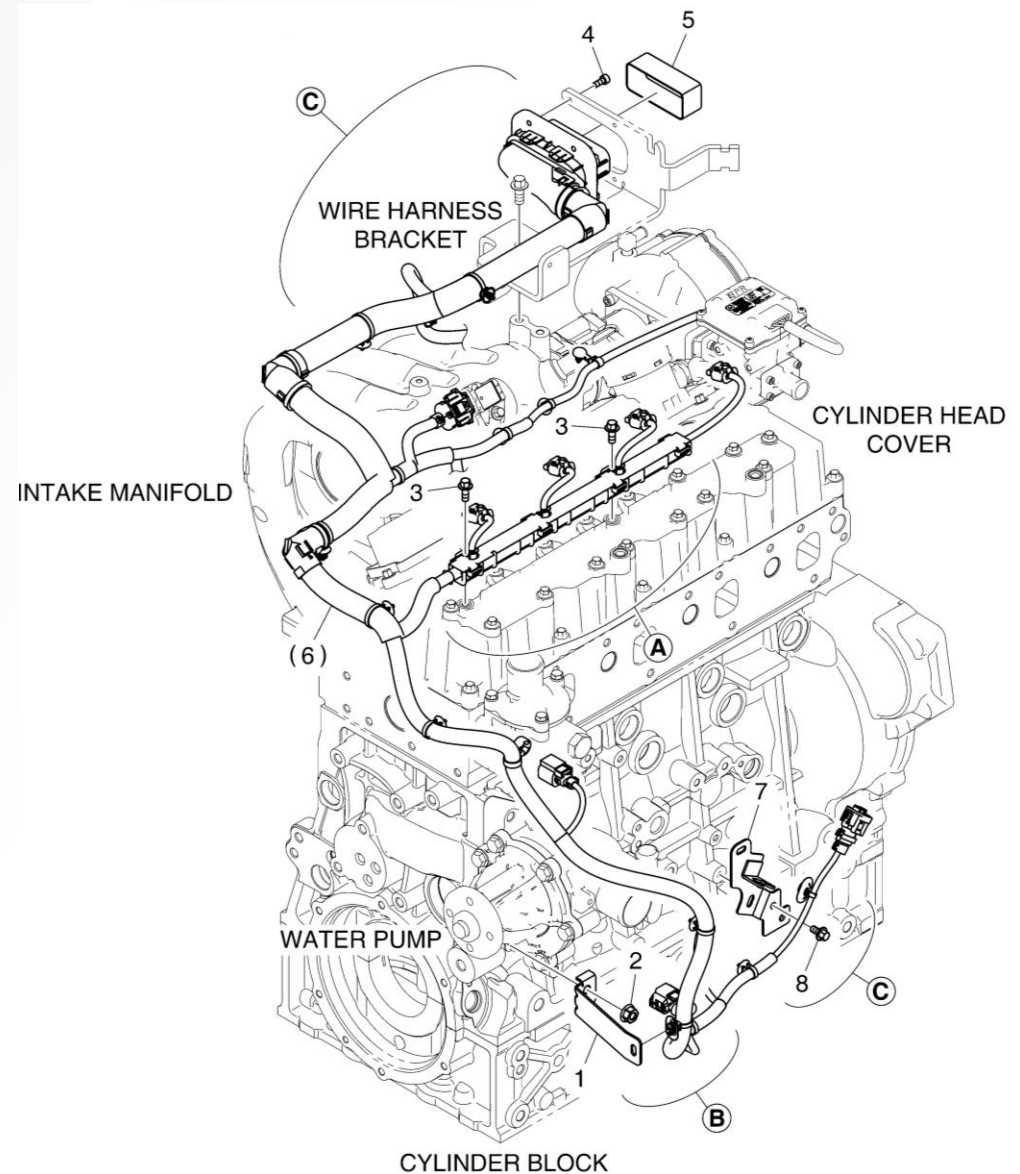
Alternator Group

Item No	Part Number	Description	Qty
1	90CM1050	BOLT,HEX FLANGE M10x50	1
2	90CM1080	BOLT,HEX FLANGE M10x80	5
3	110403-00355A	BRACKET,ALTERNATOR	1
4	89CM830	BOLT,HEX FLANGE M8x1.25x30	1
5	36CM1090	BOLT,HEX FLANGE M10x90	1
6	130205-01028	SERPENTINE BELT	1
7	130206-00077	AUTO TENSIONER	1
8	65.91701-0154	SPACER	2
9	130710-00008	PULLEY ASSY,IDLE	1
10	130710-00008	PULLEY ASSY,IDLE	1
11	300901-00219	ALTERNATOR	1



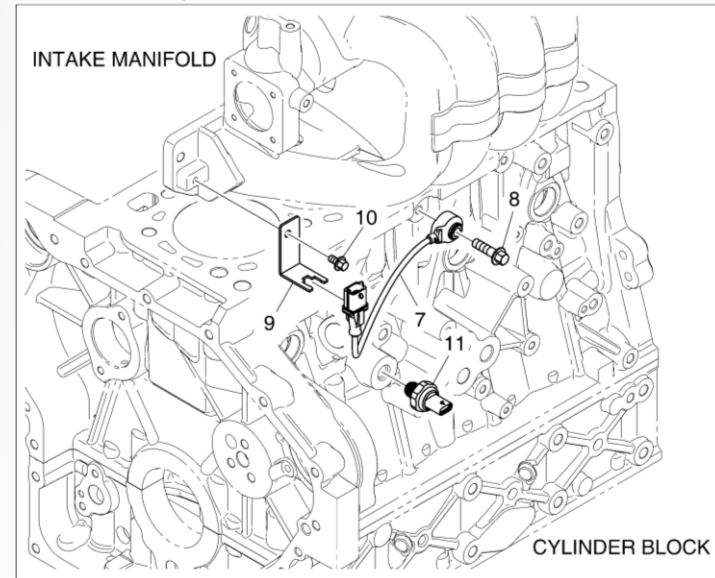
Wire Harness Group

Item No	Part Number	Description	Qty
1	110452-00288A	BRACKET,HARNESS	1
2	43DM8	NUT M8x1.25	1
3	89CM616	BOLT,HEX FLANGE M6x1.0x16	2
4	120107-00575	BOLT,SOCKET HEAD M5x0.8x12	4
5	110910-00529	CAP,RUBBER	1
6	310207-14201	ENGINE HARNESS	1
7	110452-00578	BRACKET,HARNESS	1
8	89CM612	BOLT,HEX FLANGE M6x1.0x12	1

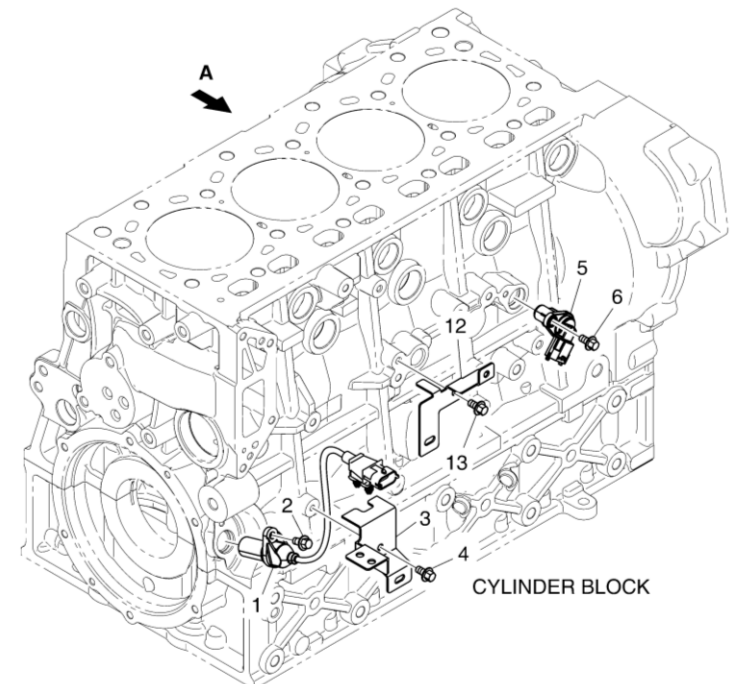


Switches / Sensors Group

Item No	Part Number	Description	Qty
1	301310-00092	SENSOR,CRANK	1
2, 4, 6, 10, 13	89CM612	BOLT,HEX FLANGE M6x1.0x12	1
3	110452-00280B	BRACKET,HARNESS	1
5	301308-01004	SENSOR,CAM	1
7	301308-00973	SENSOR,KNOCK	1
8	89CM830	BOLT,HEX FLANGE M8x1.25x30	1
9	110452-00423B	BRACKET,HARNESS	1
11	301308-01133A	SENSOR,OIL PRESSURE	1
12	110452-00483	BRACKET,HARNESS	1
	201280	SENSOR, O2	1

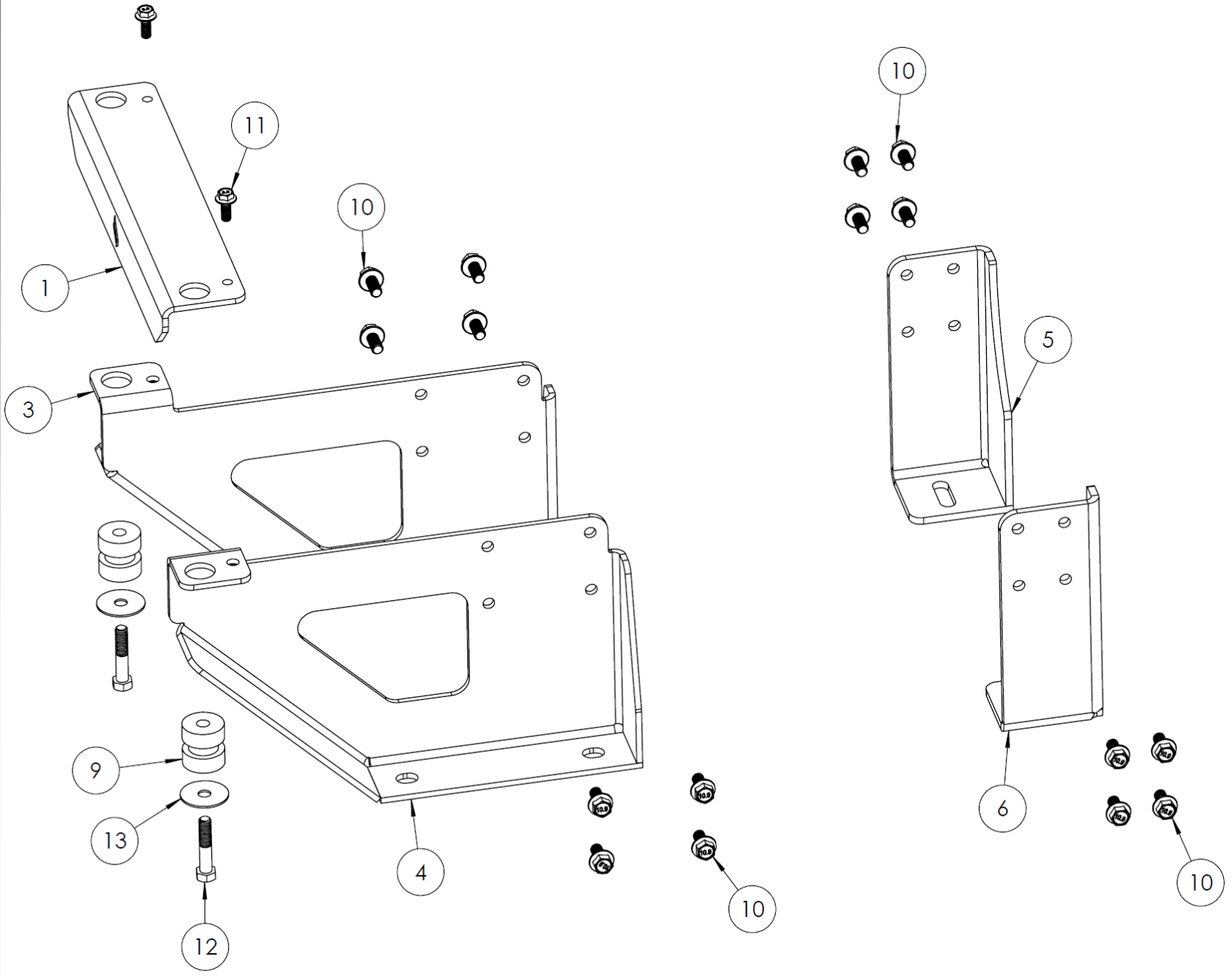


VIEW A



CYLINDER BLOCK

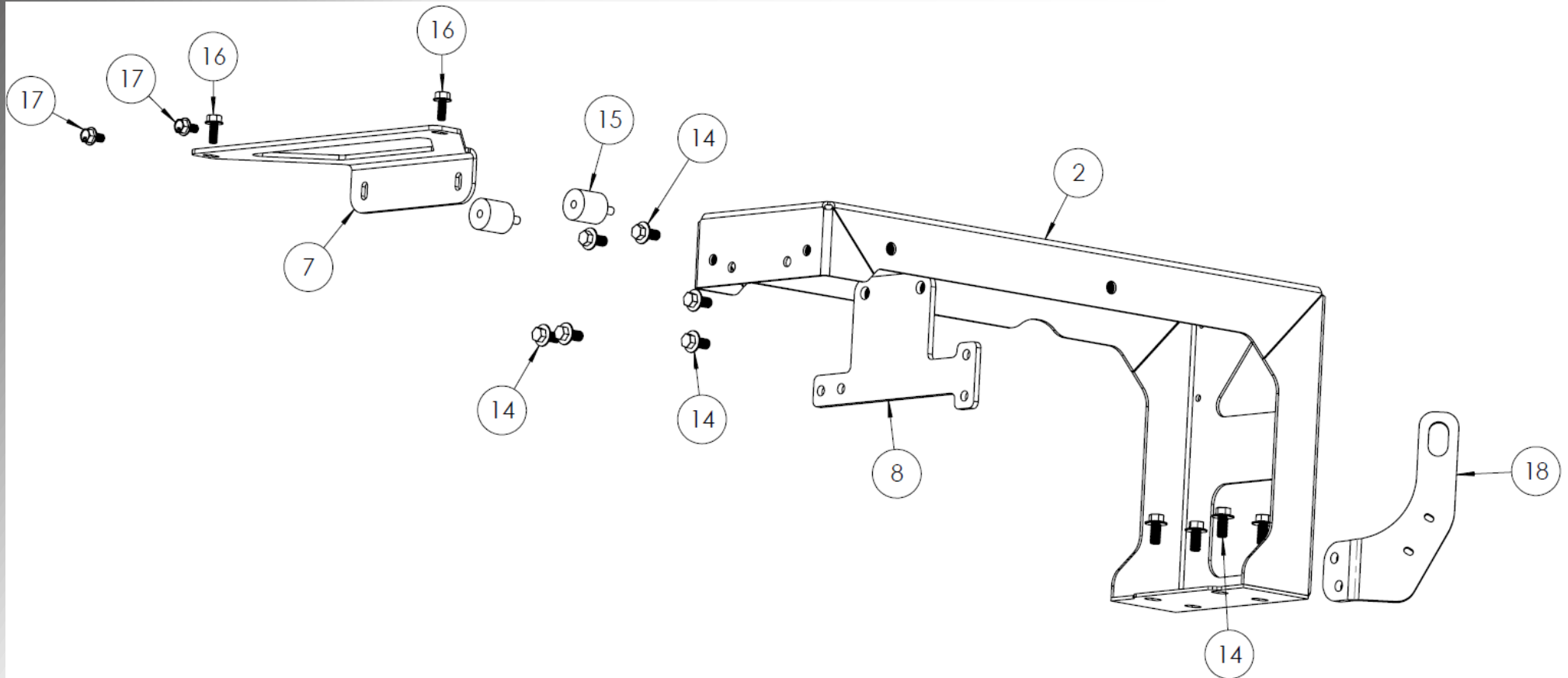
Lower Support Group



Lower Support Group

Item No	Part Number	Description	Qty
1	204442	CROSSMEMBER: 424 & 434	1
3	204446	LEG: FRONT RIGHT, 434	1
4	204447	LEG: FRONT LEFT, 434	1
5	204448	LEG: REAR RIGHT, 434	1
6	204449	LEG: REAR LEFT, 434	1
9	200345	ISOLATOR: RADIATOR MOUNT	2
10	204482	HHCS: M12-1.75 X 25MM, GR 10.9 FLANGED	16
11	201690	HHCS: M10-1.5 X 25MM, FLANGED	2
12	201668	HHCS: 1/2-13 X 2.5IN	2
13	201933	WASHER, 1/2 X 2IN OD, FENDER, ZINC	2

Upper Support Group

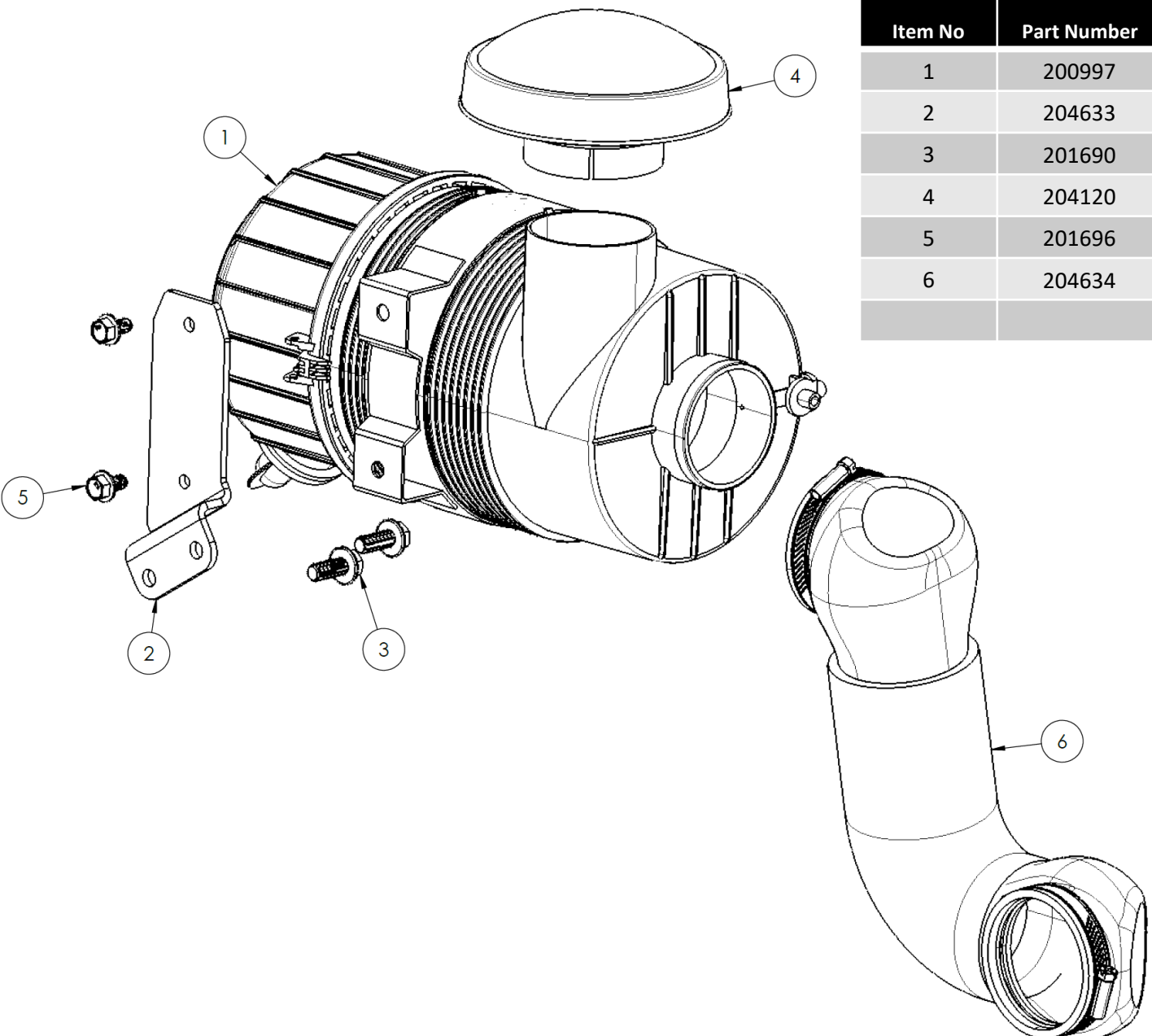


Upper Support Group



Item No	Part Number	Description	Qty
2	204445	BRACKET: BACKBONE, 434	1
7	204450	BRACKET: UPPER RADIATOR SUPPORT, 434	1
8	204454	BRACKET: ADAPTER, BACKBONE, 434	1
14	204492	HHCS, FLANGED M10-1.5 X 20MM GR 8.8	10
15	201488	ISOLATOR - M8-1.25	2
16	201626	HHCS, FLANGED M8-1.25 X 20MM	2
17	201696	HHCS, FLANGED M8-1.25 X 16MM	2
18	204525	LIFTING EYE: REAR, 434	1

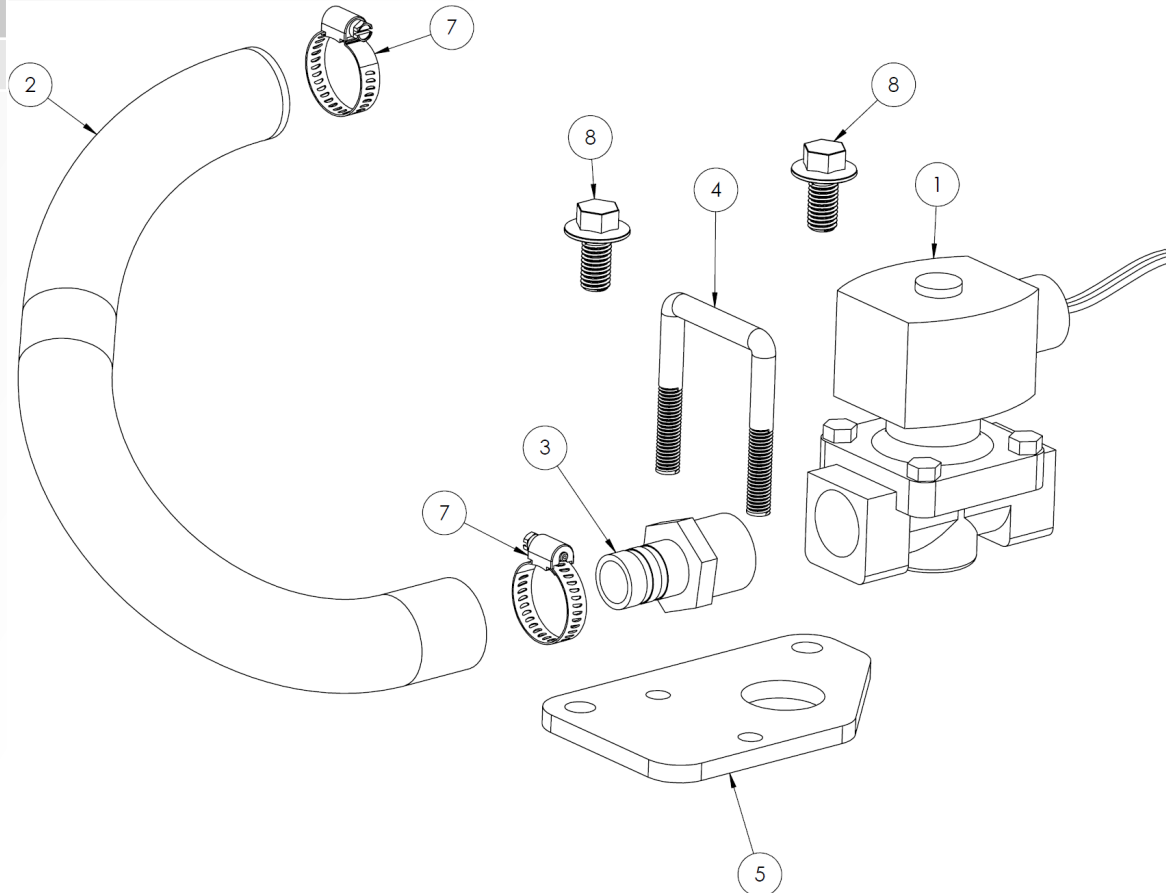
Intake Group



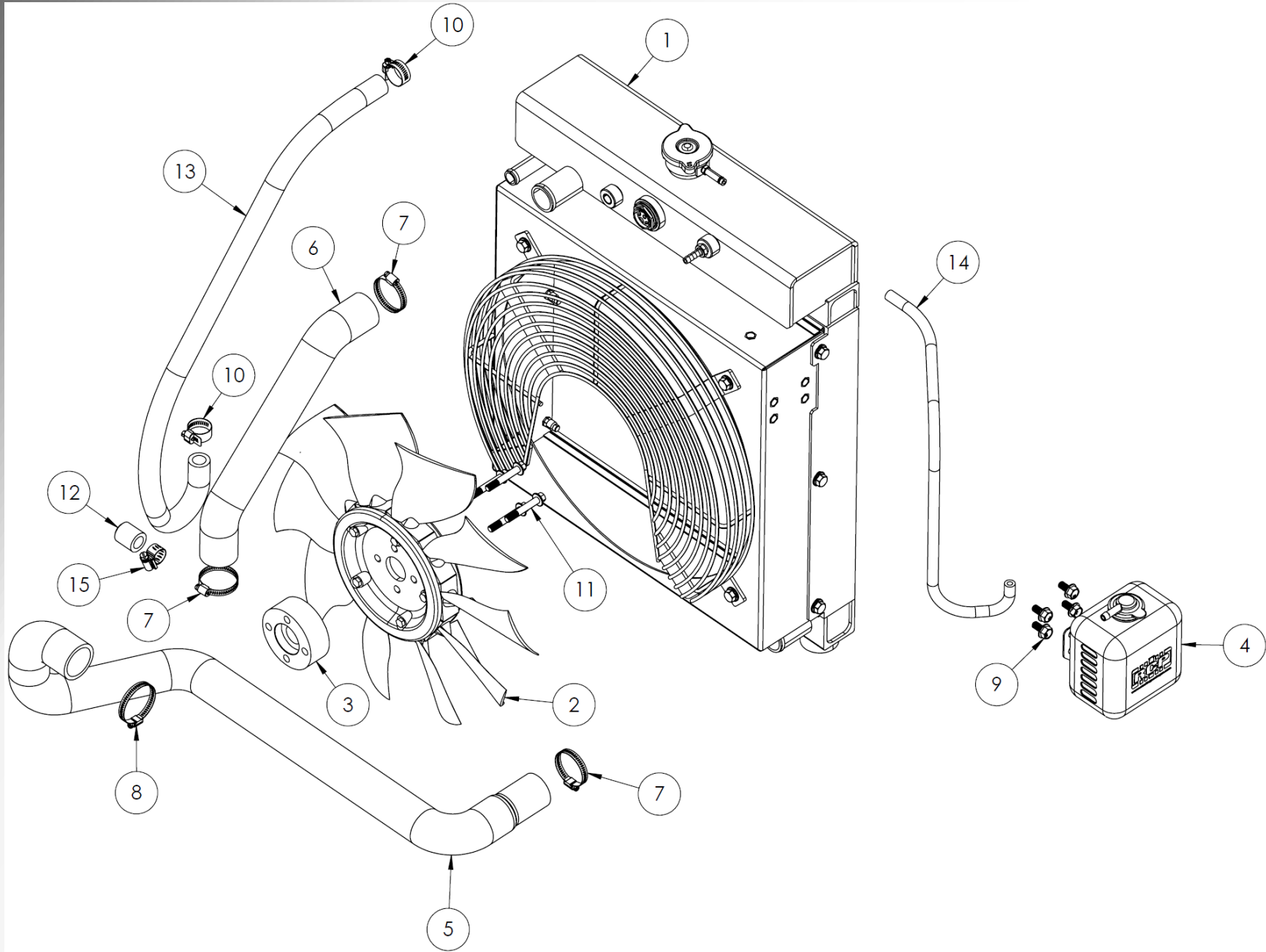
Item No	Part Number	Description	Qty
1	200997	AIR CLEANER ASSEMBLY, 424 & 434	1
2	204633	BRACKET: AIR CLEANER	1
3	201690	HHCS: FLANGED M10-1.5 X 25MM	2
4	204120	RAIN CAP: 3" INTAKE	1
5	201696	HHCS: FLANGED M8-1.25 X 16MM	2
6	204634	INTAKE HOSE ASSEMBLY	1

Fuel Group

Item No	Part Number	Description	Qty
1	201469	LOCK-OFF: VAPOR FUEL 3/4 NPT	1
2	200676	HOSE: 3/4" GANN	1
3	201507	HOSE FITTING: 3/4" BARB – 3/4" NPT	1
4	204528	U-BOLT: M8 X 40MM X 65MM	1
5	204465	BRACKET: LOCK-OFF, 434	1
7	201522	HOSE CLAMP: #12	2
8	204492	HHCS: FLANGED M10-1.5 X 20MM	2



Cooling Group

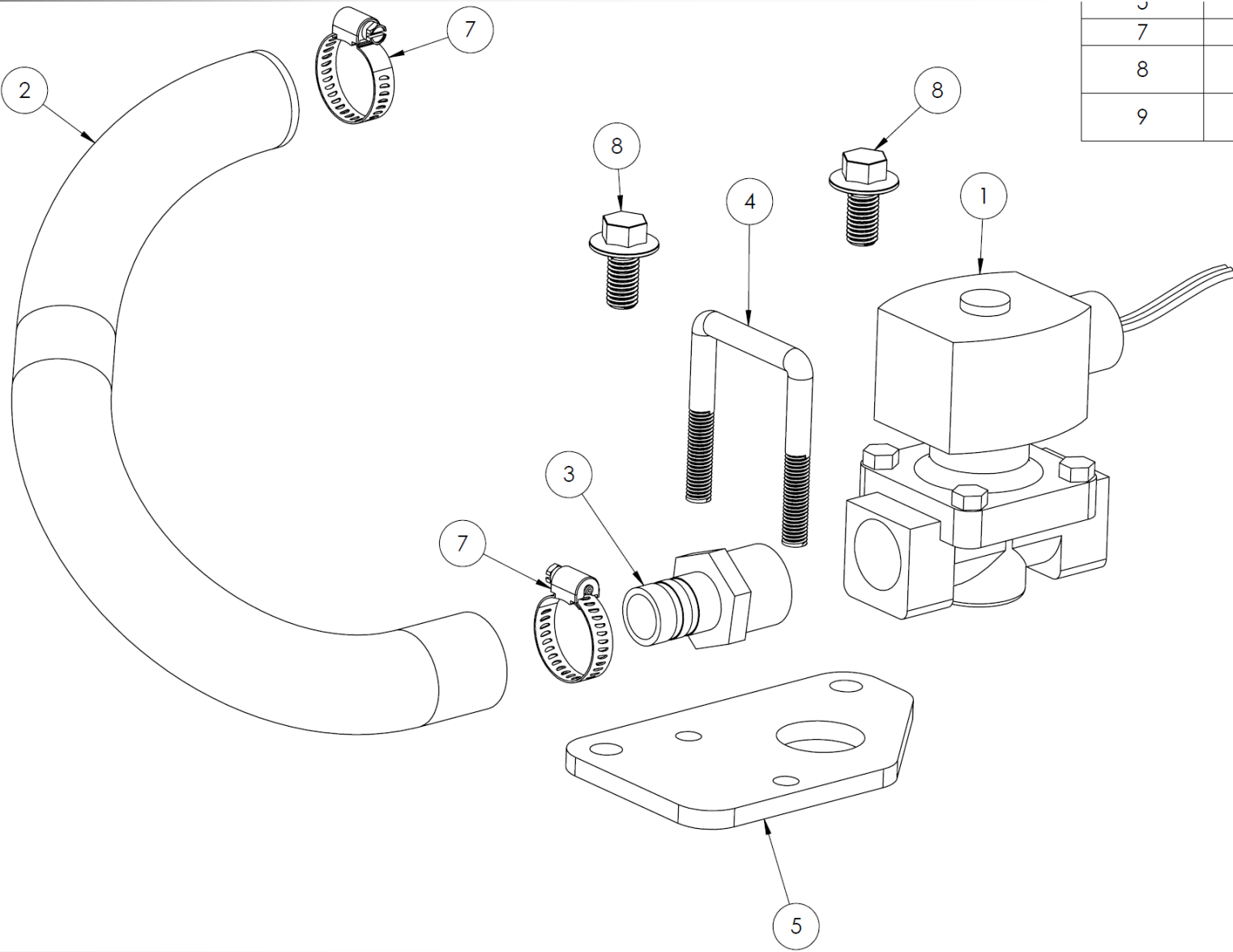


Cooling Group



Item No	Part Number	Description	Qty
1	204433	RADIATOR - 424 & 434	1
2	204434	FAN - PUSHER, 434	1
3	204452	SPACER: FAN HUB, 434	1
4	200921	COOLANT BOTTLE	1
5	204630	LOWER RADIATOR HOSE: 434	1
6	204502	UPPER RADIATOR HOSE: 424 & 434	1
7	201518	HOSE CLAMP #20	3
8	201524	HOSE CLAMP #24	1
9	201696	HHCS: FLANGED M8-1.25 X 16MM GR 8.8	4
10	201519	HOSE CLAMP #10	2
11	204648	HHCS: FLANGED M8-1.25 X 50MM	4
12	204491	CAP: 5/8" COOLANT BYPASS	1
13	200681	HOSE: 5/8" HEATER	4'
14	200666	HOSE: 1/4" VACUUM	2'
15	201520	HOSE CLAMP: #06	1

Lock-off Group



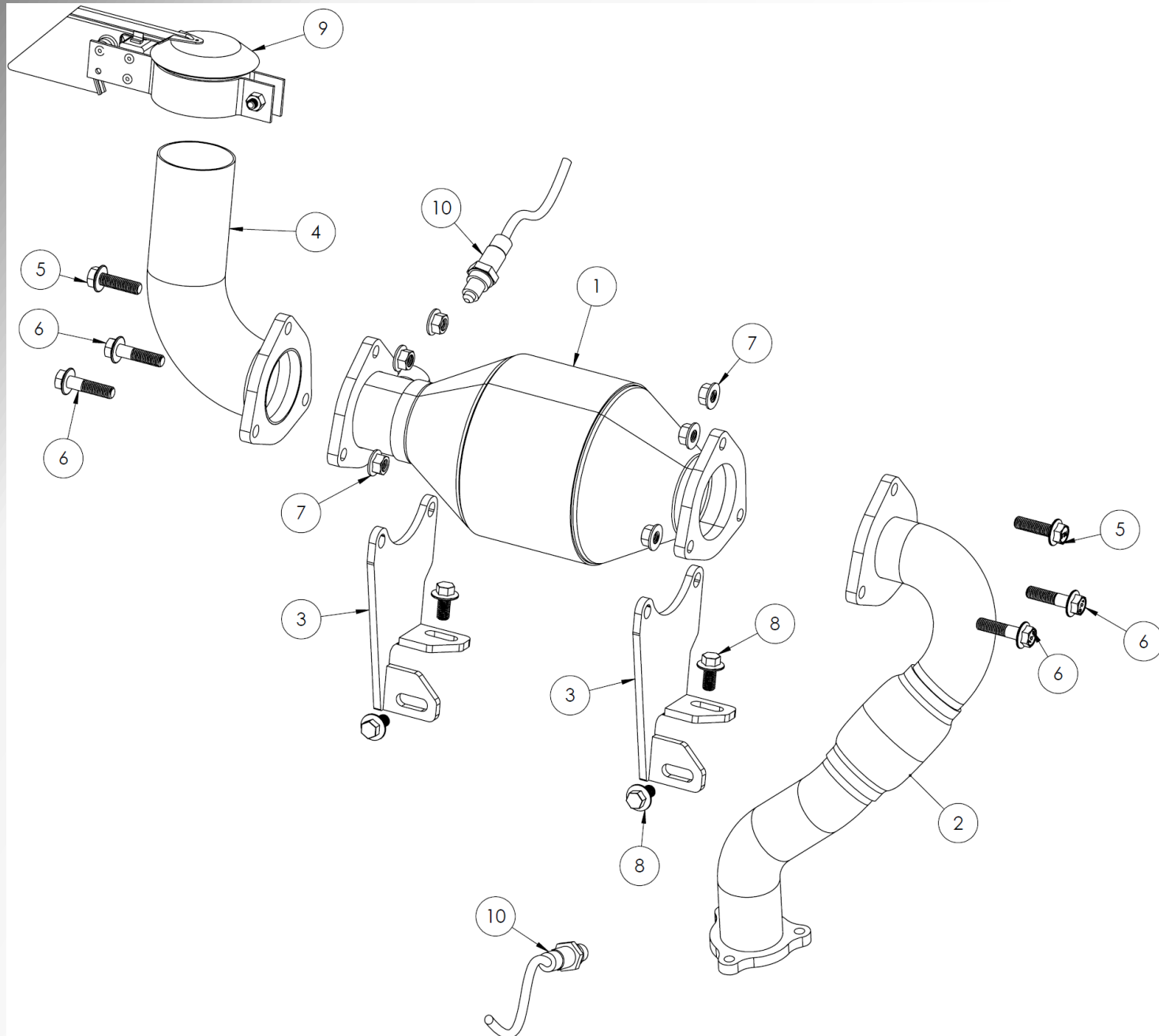
6	
7	
8	
9	

Lock-off Group



Item No	Part Number	Description	Qty
1	201469	LOCK-OFF: VAPOR FUEL 3/4 NPT	1
2	200676	HOSE: 3/4" GANN	1
3	201507	HOSE FITTING: 3/4" BARB – 3/4" NPT	1
4	204528	U-BOLT: M8 X 40MM X 65MM	1
5	204465	BRACKET: LOCK-OFF, 434	1
7	201522	HOSE CLAMP: #12	2
8	204492	HHCS: FLANGED M10-1.5 X 20MM	2

Exhaust Group



Exhaust Group



Item No	Part Number	Description	Qty
1	204639	CATALYST: 434	1
2	204474	EXHAUST PIPE: PRE-CAT 434	1
3	204523	BRACKET: EXHAUST SUPPORT	2
4	204638	TAIL PIPE: 2.5 ID, 90 DEGREE	1
5	204635	HHCS, FLANGED M10-1.5 X 35MM GR10.9	2
6	204636	HHCS, FLANGED M10-1.5 X 40MM GR10.9	4
7	204637	NUT, M10-1.5 GR10.9	6
8	204492	HHCS, FLANGED M10-1.5 X 20MM GR8.8	4
9	204679	RAIN CAP - EXHAUST PIPE	1
10	201280	O2 SENSOR	2
	204656	CATALYST GASKET	2