



ZENITH

POWER PRODUCTS

Service Parts Manual NA665

Availability & Shipping Information



- Part Availability is subject to change based on obsolescence from Original Part Manufacturer.
- Orders on in-stock parts normally ship within 1-2 business days. Please advise if needed sooner. Expedite charges may apply to rush orders.
 - ZPP utilizes UPS small package service (preferred carrier) on a 5-day-per-week basis with 12PM CST pick-up.
 - ZPP can also ship using FedEx Ground and Express services for small packages.
 - DHL is an option for international packages.
 - A \$25 service charge may be applied to orders under \$50.00.
- Customers have the option of using their own collect account or being invoiced for the freight charges.
- All shipments are FOB origin unless otherwise specified (this includes any drop-shipments made from ZPP's suppliers).

*Images are for illustrative purposes only and may differ from the actual product. Not all parts may be available for purchase.

Engine Sub-system Index



Engine Subsystem	Page	Engine Subsystem	Page
Recommended Parts Stock List	4	Engine Base	27
Cylinder Block Group	5	Enclosure Panels	31
Cylinder Head Group	7	Oil Leveler System	33
Crankshaft / Con. Rod Group	9	Cooling Package System	35
Transmission Group	11	Intake System	37
Intake / Exhaust Group	13	Fuel System	41
Front Drive Group	15	Exhaust System	43
Valve Group	17	Miscellaneous Parts	47
Lubrication Group	19	Service Kits	49
Cooling System	21		
Electrical Group	23		
Control Group	25		

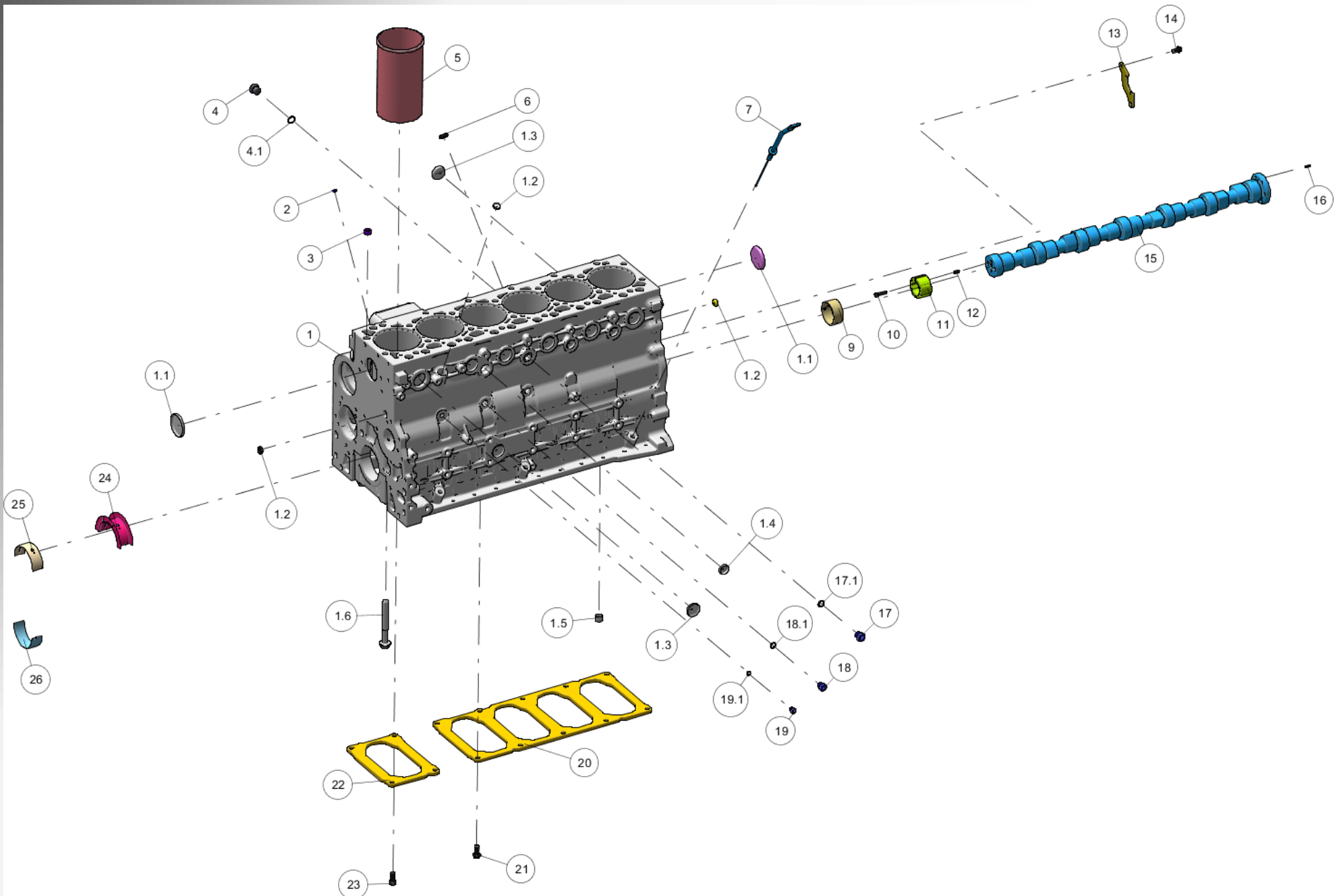
ZPP NA665 Recommended Parts Stock List



Part Number	Description
202393	Air Cleaner Assembly
200469	Air Cleaner Element – Primary
200289	Air Cleaner Element- Secondary
202188	Alternator
202187	Starter
200474	O2 Sensor – Pre-catalyst
201280	O2 Sensor – Post catalyst
200499	Catalyst
200875	Catalyst gasket
200610	Exhaust manifold gasket
200877	Gasket T4 flange
202464	Valve cover gasket
201989	Oil filter
201390	Oil pressure sensor
202849	Oil pan gasket
201476	Fuel Control valve
200879	Fuel control valve gasket
200158	Mixer: E330 w/idle screw
203184	E330 diaphragm kit
201421	LP regulator: R600SZF ¾ NPT
201424	NG Regulator: R600S ¾ NPT
201471	Fuel Lock-Off
200705	Throttle body
202869	Throttle body gasket
201375	Ignition coil: 12v (48 pin ECU)

Part Number	Description
202503	Ignition wire set
200613	Spark Plug
200630	Map sensor
200631	Cam / Crank sensor
200022	KENCO oil level controller
201388	Low coolant alarm switch
202161	Coolant temp sensor
201039	Pusher Fan
202344	Fan/Alternator belt
202582	Tensioner
201247	Radiator
201262	Upper radiator pipe
201263	Lower radiator pipe
202345	Thermostat
202346	Thermostat housing
202347	Water pump
202348	Water pump gasket
201407	ECU (Woodward) 48 pin
200186	Wiring harness
201395	Battery equalizer 30amp
202080	Battery equalizer harness
203810	Dynagen Lofa box enclosed panel
201403	Dynagen panel loose TG410
203202	Dynagen Panel Relay pack 24v
202393	Donaldson Air Cleaner
204171	Donaldson Primary Element
204172	Donaldson Secondary Element

Cylinder Block Group

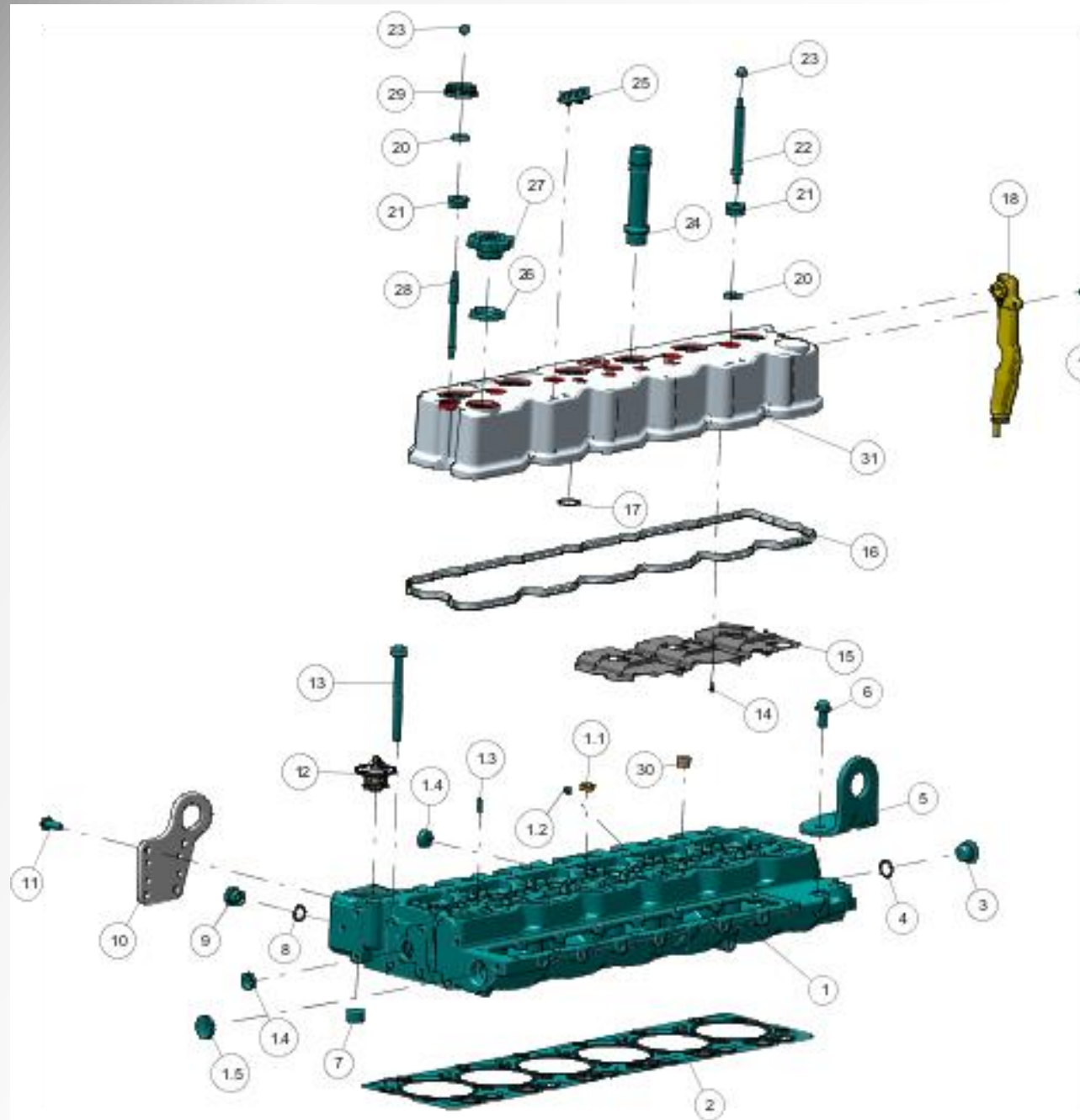


Cylinder Block Group

Item	Part Number	Description	Qty
1	S00000944	CYLINDER BLOCK ASSY (MACHINED)	1
1.1	204331	PLUG (Φ58)	2
1.2	202656	PLUG (Φ18)	4
1.3	202685	PLUG (Φ35)	11
1.4	202686	EXPANSION PLUG	3
1.5	202666	DOWEL SLEEVE	2
1.6	S00003466	BOLT, MAIN BEARING CAP	14
2	204334	PLUG (Φ9.65)	5
3	202654	DOWEL PIN	2
4	S00004822	PIPE PLUG ASSY (ASSEMBLED)	2
4.1	S00004824	O-RING	1
5	202657	CYLINDER LINER	6
6	202655	BULKHEAD	2
7	202682	OIL DIPSTICK AND TUBE ASSY	1
9	202659	BUSHING, CAMSHAFT	1
10	B00000909	HEXAGON SOCKET HEAD CAP SCREW	2
11	202671	CAMSHAFT TIMING PLATE	1
12	202672	DOWEL BUSH, CAMSHAFT SENSOR WHEEL	1

Item	Part Number	Description	Qty
13	202676	THRUST PLATE, CAMSHAFT	1
14	B00004896	HEXAGON BOLTS	2
15	204267	CAMSHAFT	1
16	202675	PARALLEL PINS	1
17	S00004809	PIPE PLUG ASSY (ASSEMBLED)	1
17.1	202669	O-RING	1
18	S00004818	PIPE PLUG ASSY (ASSEMBLED)	2
18.1	202662	O-RING	1
19	S00004815	PIPE PLUG ASSY (ASSEMBLED)	1
19.1	202664	O-RING	1
20	S00004852	BLOCK, FLOOR	1
21	B00004880	HEXAGON BOLTS	13
22	S00006331	BLOCK, FLOOR	1
23	B00000506	HEXAGON HEAD BOLT	1
24	202752	THRUST BEARING, CRANKSHAFT	1
25	202753	MAIN BEARING, UPPER	6
26	202754	MAIN BEARING, LOWER	7

Cylinder Head Group



Cylinder Head Group

Item	Part Number	Description	Qty
1	203923	CYLINDER HEAD ASSY (MACHINED) BARE	1
1.1	204333	PLUG (Φ20)	11
1.2	204334	PLUG (Φ9.65)	6
1.3	202695	PARALLEL PINS	12
1.4	202686	EXPANSION PLUG	13
1.5	202685	PLUG (Φ35)	1
2	202702	GASKET, CYLINDER HEAD	1
3	B00001708	HEX SOCKET PIPE PLUG	1
4	202703	O-RING	1
5	S00008502	ENGINE LIFTING EYE, REAR	1
6	B00002048	HEXAGON BOLTS	2
7	D02A-163-01	INTERNAL HEXAGON SCREW PLUG	2
8	202688	O-RING	1
9	S00004918	PIPE PLUG	1
10	S00005036	ENGINE LIFTING EYE, FRONT	1
11	B00004880	HEXAGON BOLTS	4
12	202345	THERMOSTAT ASSY	1
13	202696	BOLT, CYLINDER HEAD	26

Item	Part Number	Description	Qty
14	B00005143	HEXAGON SOCKET HEAD CAP SCREW	8
15	S00014829	MAZE PLATE INSIDE VALVE COVER	1
16	202464	VALVE COVER GASKET	1
17	204179	O-RING	6
18	202734	VENT PIPE ON VALVE COVER	1
19	B00000935	PAN HEAD SCREW WITH CROSS RECESS	2
20	B00001811	ENLARGED ROUGH WASHER	7
21	202732	ISOLATOR ,VIBRATION	7
22	202740	STUD	5
23	202730	CAP NUT	7
24	204335	SPARK HARNESS PROTECTION SLEEVE	6
25	202386	IGNITION WIRE RETAINER	2
26	202727	SEAL RING, OIL FILLER	1
27	203068	COVER, OIL FILLER	1
28	202740	STUD	2
29	202729	SEAL RING, GLOW PLUG SLEEVE	6
30	D02A-164-01	INTERNAL HEXAGON SCREW PLUG	4
31	202733	VALVE COVER	1

Crankshaft / Con. Rod Group

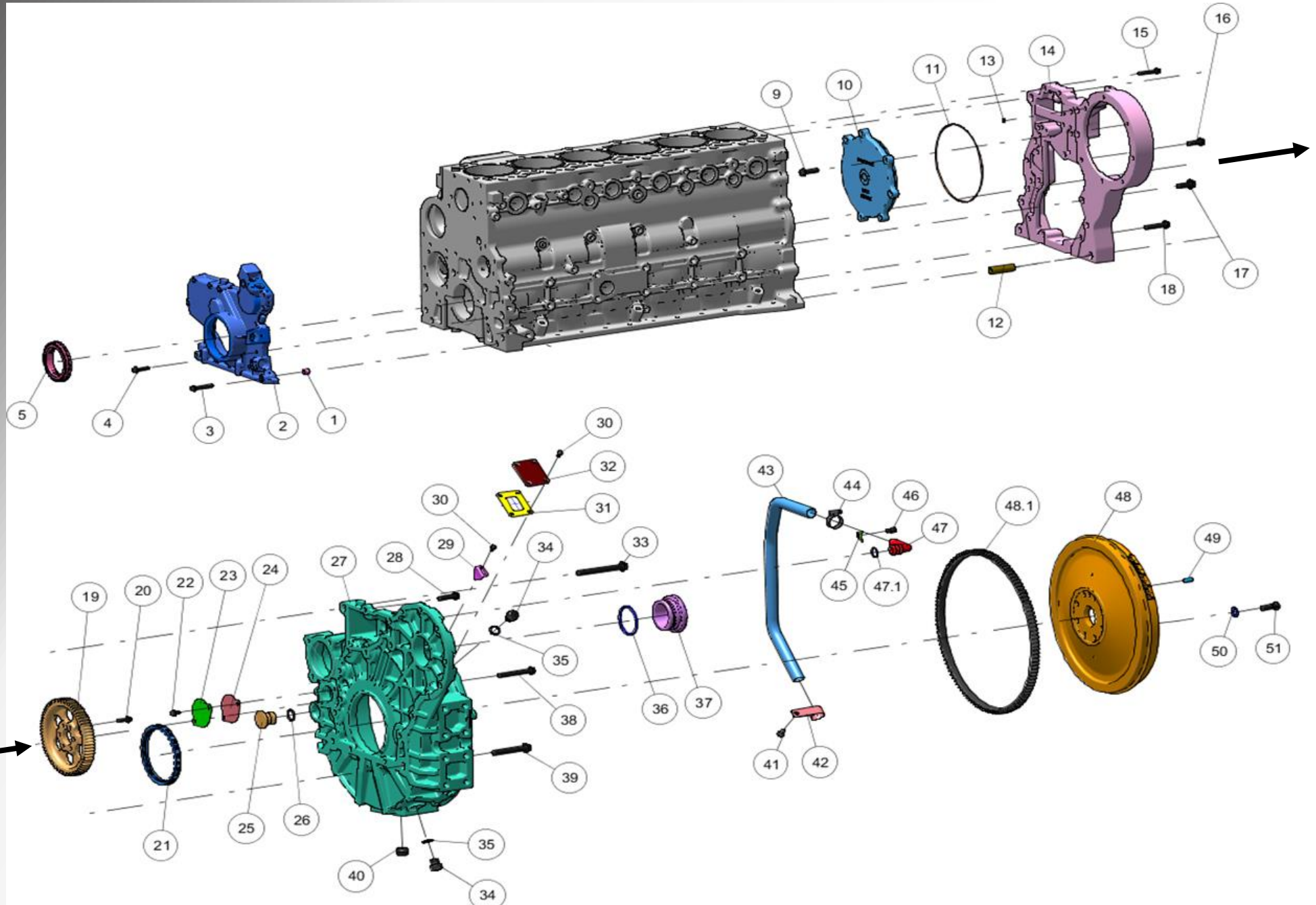


Crankshaft / Con. Rod Group



Item	Part Number	Description	Qty
1	202746	PISTON PIN RETAINER RING	12
2	202747	PIN, PISTON	6
3	202751	PISTON	6
4	202750	PISTON OIL CONTROL RING ASSY	6
5	202749	COMPRESSION RING, PISTON	6
6	202748	TOP RING, PISTON	6
7	202678	ORIFICE ASSY, PISTON COOLING JET	6
8	202743	CONNECTING ROD ASSY (MACHINED)	6
8.1	202742	BOLT, CONNECTING ROD	2
9	202744	UPPER BEARING, CONNECTING ROD	6
10	202745	LOWER BEARING, CONNECTING ROD	6
11	202755	CRANKSHAFT ASSY	1
11.1	202675	PARALLEL PINS	1

Transmission Group



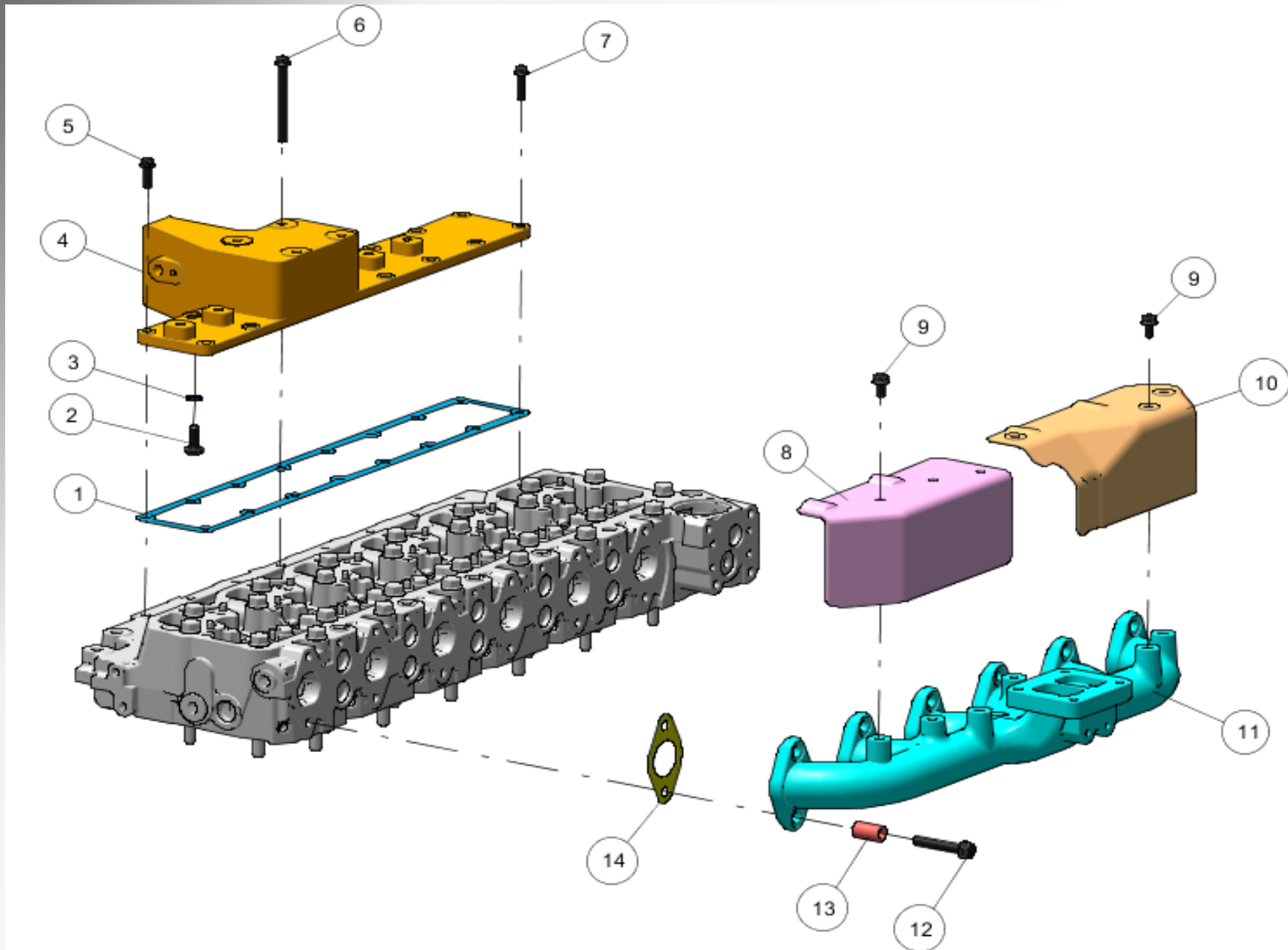
Transmission Group



Item	Part Number	Description	Qty
1	202809	DOWEL PIN	2
2	S00009053	FRONT GEAR HOUSING	1
3	B00002147	HEXAGON BOLTS	7
4	B00002139	HEXAGON BOLTS	6
5	202810	CRANKSHAFT SEAL, FRONT	1
6	S00012591	SUPPORT PLATE, FRONT LEFT	1
7	B00002055	HEXAGON BOLTS	6
8	S00012592	SUPPORT PLATE, FRONT RIGHT	1
9	B00004881	HEXAGON BOLTS	6
10	S00017932	PLATE, BORE FOR FUEL INJECTION PUMP	1
11	204332	O-RING	1
12	202766	DOWEL PIN	2
13	204337	O-RING	1
14	S00028289	HOUSING, GEAR	1
15	B00004372	HEXAGON BOLTS	4
16	B00004580	HEXAGON BOLTS	2
17	B00002051	HEXAGON BOLTS	1
18	B00004452	HEXAGON BOLTS	3
19	202760	GEAR, CAMSHAFT	1
20	B00004885	HEXAGON BOLTS	6
21	202782	REAR MAIN SEAL	1
22	B00002130	HEXAGON BOLTS	2
23	D02C-104-01	COVER	1
24	D02C-105-01	COVER PLATE GASKET	1
25	D02C-106-01	PLUG, BORE FOR BARRING	1
26	202788	O-RING	1
27	S00009041	FLYWHEEL HOUSING	1

Item	Part Number	Description	Qty
28	B00004902	HEXAGON BOLTS	11
29	D02C-103-30	INDICATOR	1
30	B00002111	HEXAGON BOLTS	6
31	S00009043	INSPECTION PLATE GASKET, FLYWHEEL HOUSING	1
32	S00009042	OBSERVING HOLE ADAPTOR, FLYWHEEL HOUSING	1
33	B00002037	HEXAGON BOLTS	2
34	B00001728	HEXAGONAL HEAD SCREW PLUG	2
35	B00001549	COMPOSITE HARD WASHER	2
36	204259	O-RING	1
37	S00009644	PLATE WITH OPENING, FLYWHEEL HOUSING	1
38	B00002031	HEXAGON BOLTS	2
39	B00004631	HEXAGON BOLTS	6
40	B00001699	INNER HEXAGON TAPERED SCREW PLUG	1
41	B00004896	HEXAGON BOLTS	1
42	S00010423	CLAMP	1
43	204336	TUBE, FUMES DISPOSAL	1
44	B00001565	CLAMP	1
45	S00005205	VENT PIPE CLAMP (HALF)	1
46	B00005085	HEXAGON SOCKET HEAD CAP SCREW	1
47	202769	JOINT ASSY, FUMES DISPOSAL	1
47.1	202770	O-RING	1
48	204268	FLYWHEEL	1
48.1	204279	RING GEAR, ENGINE START	1
49	204338	PARALLEL PINS	1
50	204281	GASKET	8
51	204269	BOLT, FLYWHEEL	8

Intake / Exhaust Group

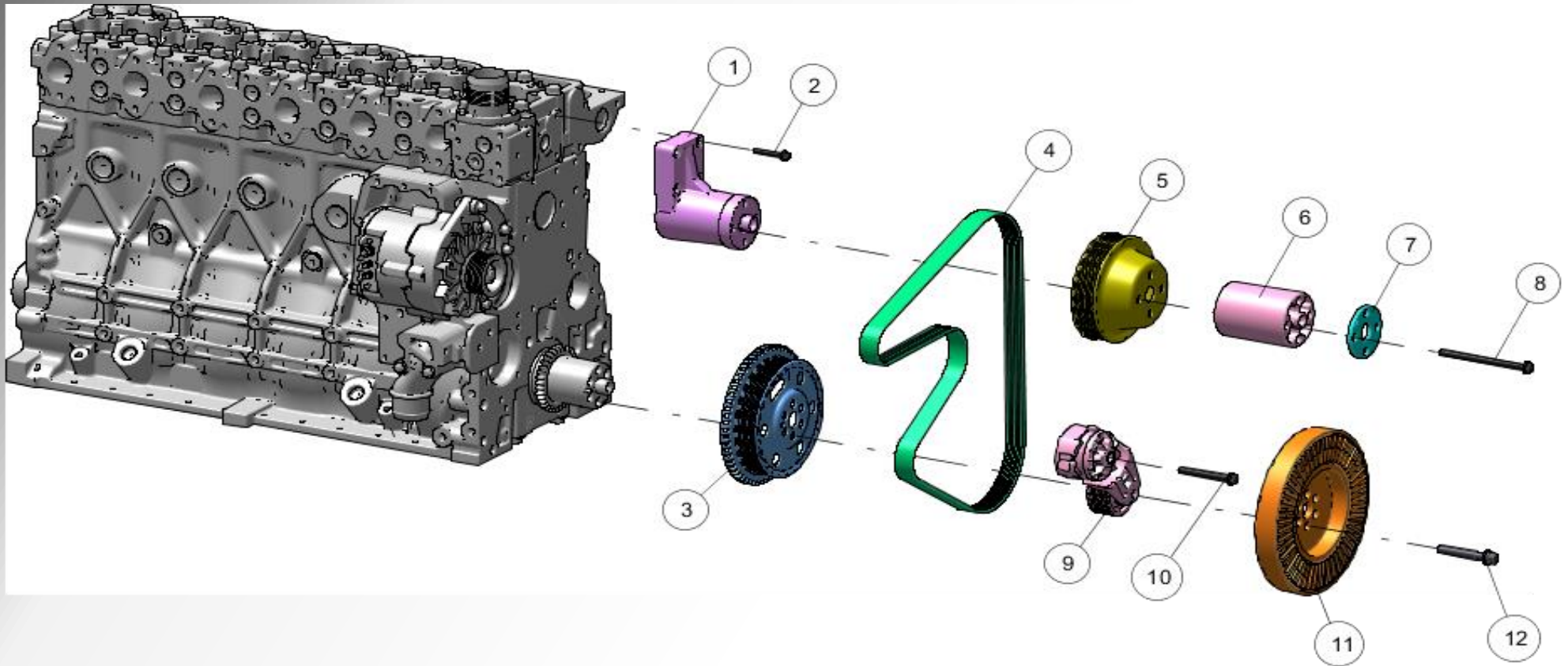


Intake / Exhaust Group



Item	Part Number	Description	Qty
1	202826	GASKET, AIR INTAKE PIPE	1
2	B00000662	HEXAGON HEAD BOLT	1
3	B00001546	COMPOSITE HARD WASHER	1
4	202825	AIR INTAKE PIPE ASSY (MACHINED)	1
5	S00005856	HEXAGON BOLTS	4
6	S00005855	HEXAGON BOLTS	4
7	S00016305	HEXAGON BOLTS	8
8	202821	HEAT SHIELD (REAR)	1
9	D13-318-02	HEXAGON BOLTS	6
10	202820	HEAT SHIELD (FRONT)	1
11	202815	EXHAUST MANIFOLD	1
12	202818	BOLT EXHAUST MANIFOLD	12
13	S00003833	EXHAUST PIPE BOLT SPACER	12
14	200610	GASKET, EXHAUST MANIFOLD	6

Front Drive Group

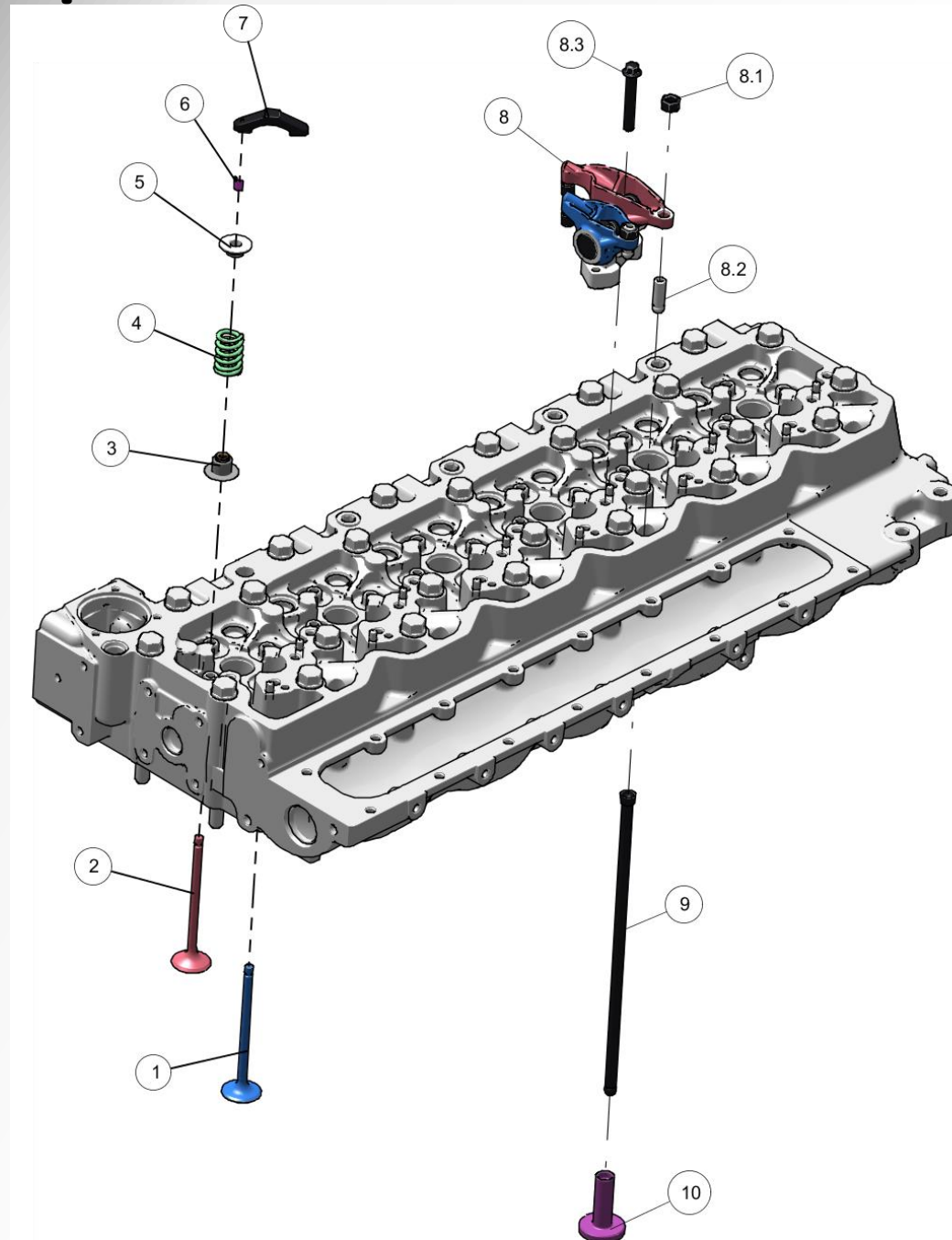


Front Drive Group



Item	Part Number	Description	Qty
1	202796	FAN BEARING HOUSING	1
2	B00004372	HEXAGON BOLTS	4
3	202801	PULLEY, CRANKSHAFT	1
4	202344	BELT, FAN	1
5	202799	PULLEY, FAN	1
6	202162	SPACER, FAN	1
7	S00008262	CLAMP	1
8	B00005328	HEXAGON BOLTS	4
9	202582	TENSIONER ASSY	1
10	B00004630	HEXAGON BOLTS	1
11	202802	CRANKSHAFT DAMPER	1
12	S00003467	CRANKSHAFT DAMPER BOLT	6

Valve Group

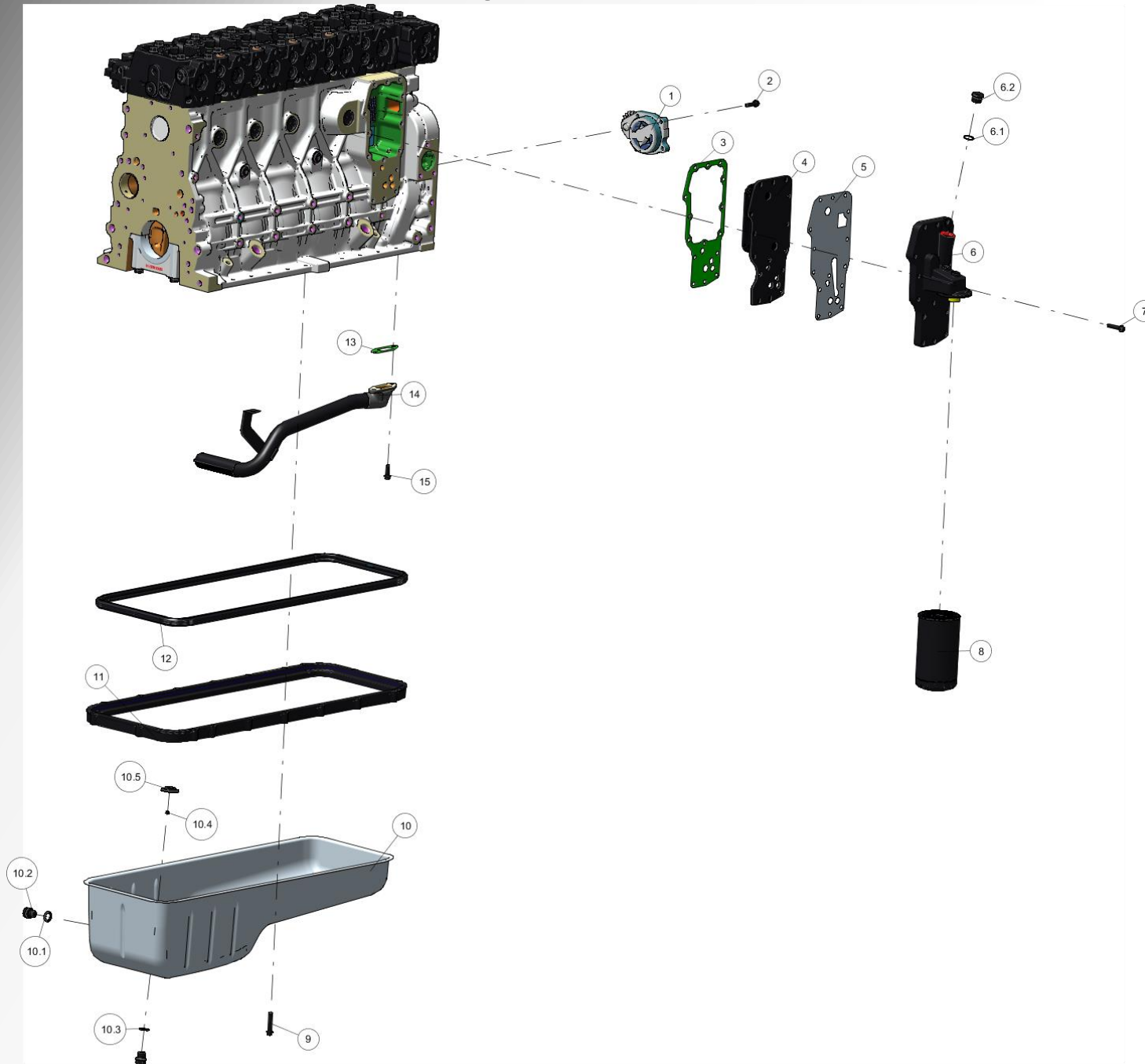


Valve Group



Item	Part Number	Description	Qty
1	202701	VALVE, INTAKE	12
2	202699	VALVE, EXHAUST	12
3	202689	VALVE STEM SEAL	24
4	202690	VALVE SPRING	24
5	202692	VALVE SPRING RETAINER	24
6	202691	VALVE COLLET	48
7	202693	VALVE BRIDGE, INTAKE	12
8	204219	ROCKER ARM ASSY	6
8.1	S00008495	LOCK NUT	12
8.2	202711	VALVE LASH ADJUSTER	12
8.3	S00027101	BOLT	12
9	202725	PUSH ROD	12
10	202679	TAPPET	12

Lubrication Group

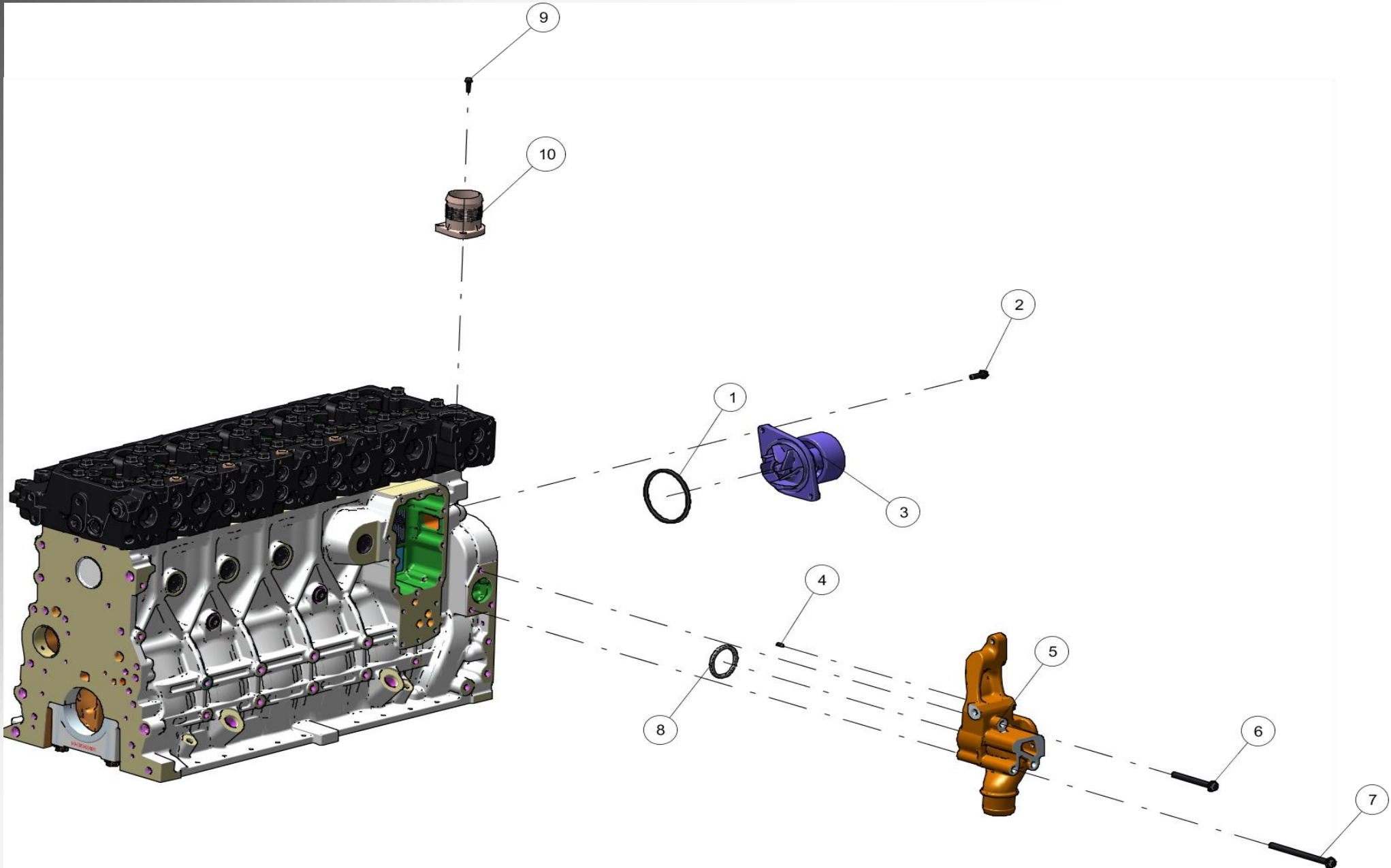


Lubrication Group

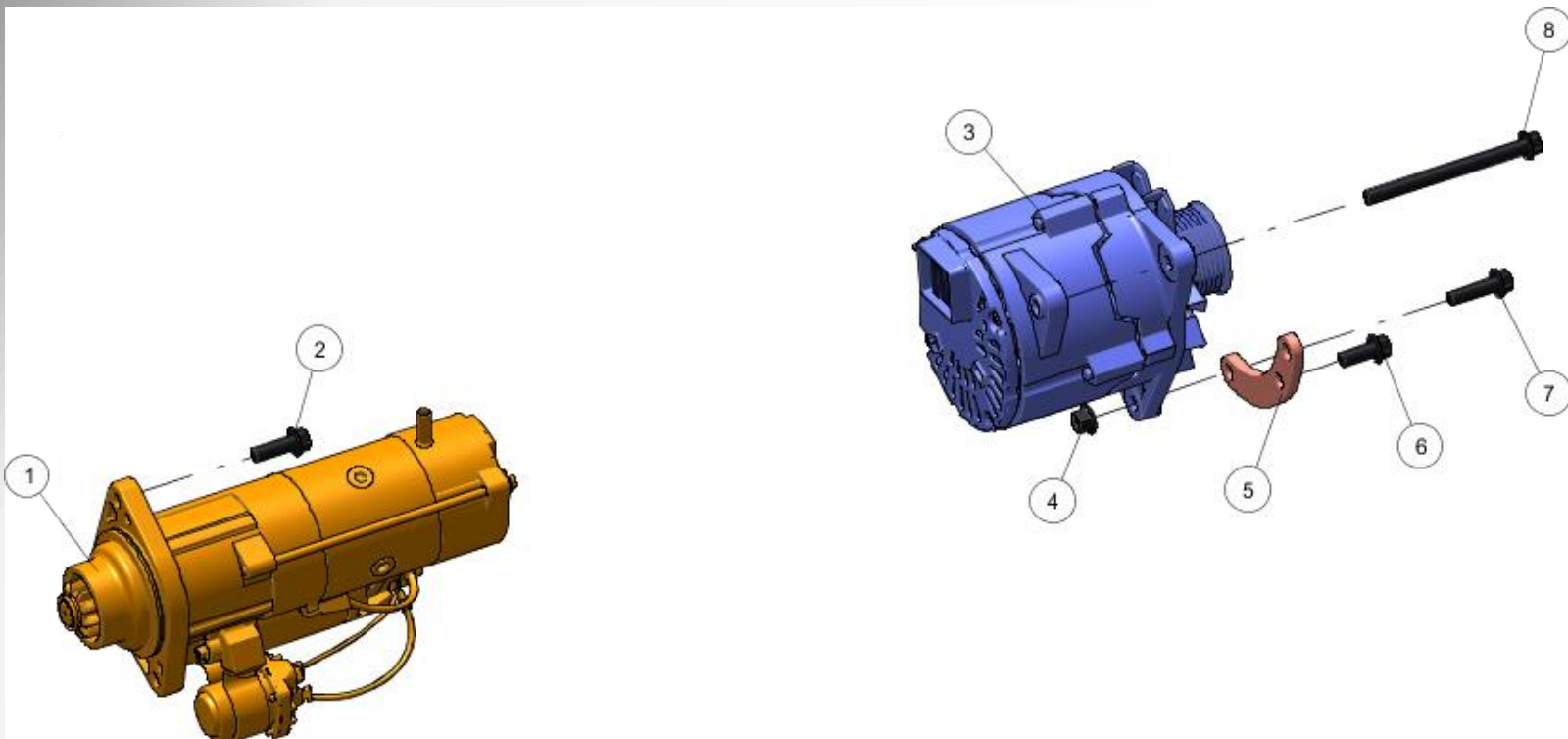


Item	Part Number	Description	Qty
1	202806	OIL PUMP ASSY	1
2	B00004991	HEXAGON BOLTS	4
3	202831	GASKET, OIL COOLER	1
4	202833	CORE ASSY, OIL COOLER	1
5	202832	GASKET, OIL COOLER	1
6	204263	COVER ASSY, OIL COOLER	1
6.1	202688	O-RING	1
6.2	S00004918	PIPE PLUG	1
7	B00004449	HEXAGON BOLTS	15
8	201989	OIL FILTER ASSY	1
9	B00004372	HEXAGON BOLTS	18
10	S00006717	OIL PAN ASSY	1
10.1	B00001548	COMPOSITE HARD WASHER	1
10.2	B00001727	HEXAGONAL HEAD SCREW PLUG	1
10.3	B00001549	COMPOSITE HARD WASHER	1
10.4	S00004760	MAGNETIC CORE	1
10.5	S00001626	OIL SUMP DRAIN PLUG ADAPTER	1
11	202856	OIL SUMP FRAME	1
12	202849	SEAL PAD, OIL PAN	1
13	202844	GASKET, PIPE FLANGE-OIL PUMP	1
14	202843	OIL SUCTION PIPE ASSY, OIL PUMP	1
15	B00004885	HEXAGON BOLTS	2

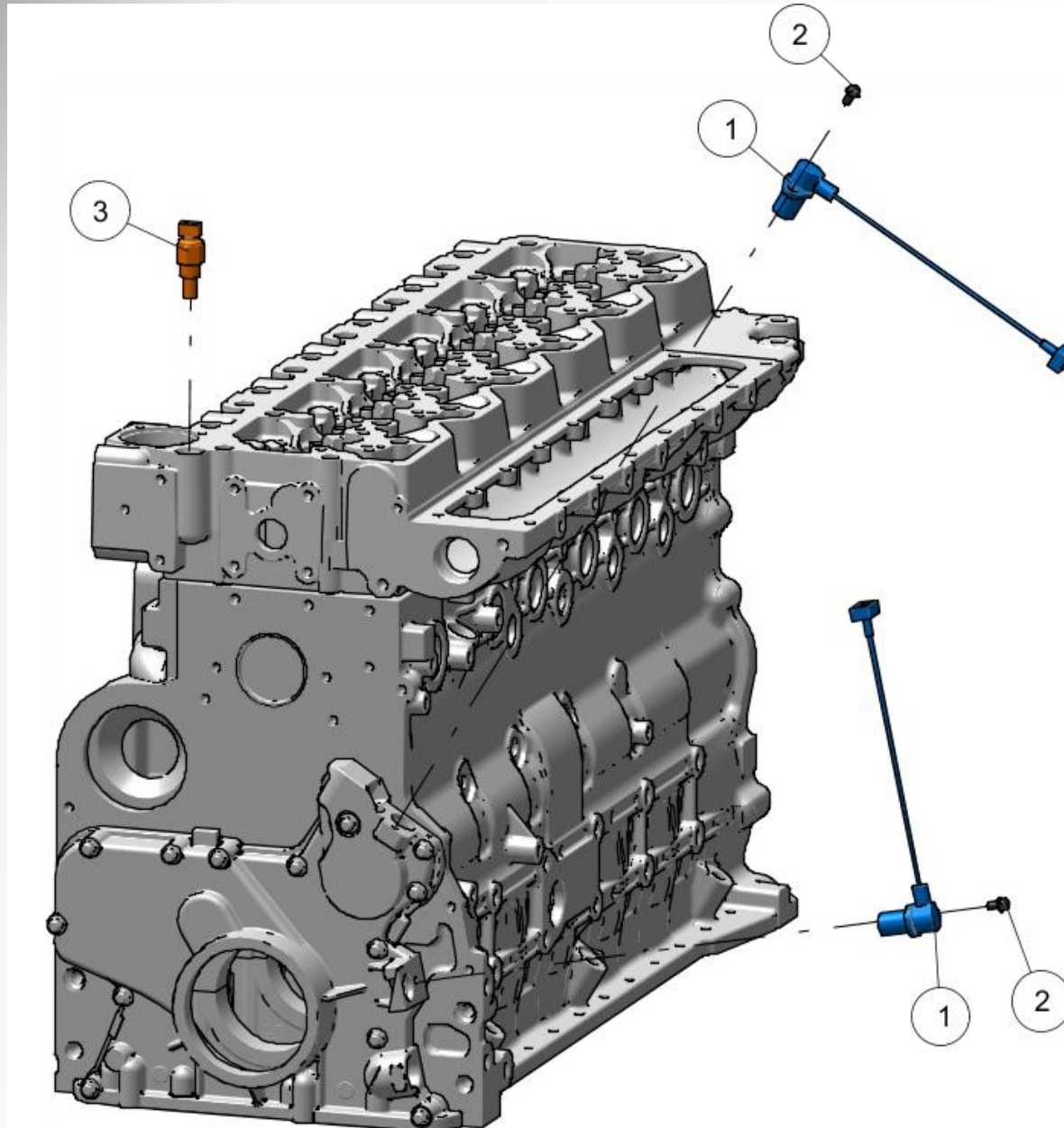
Cooling System



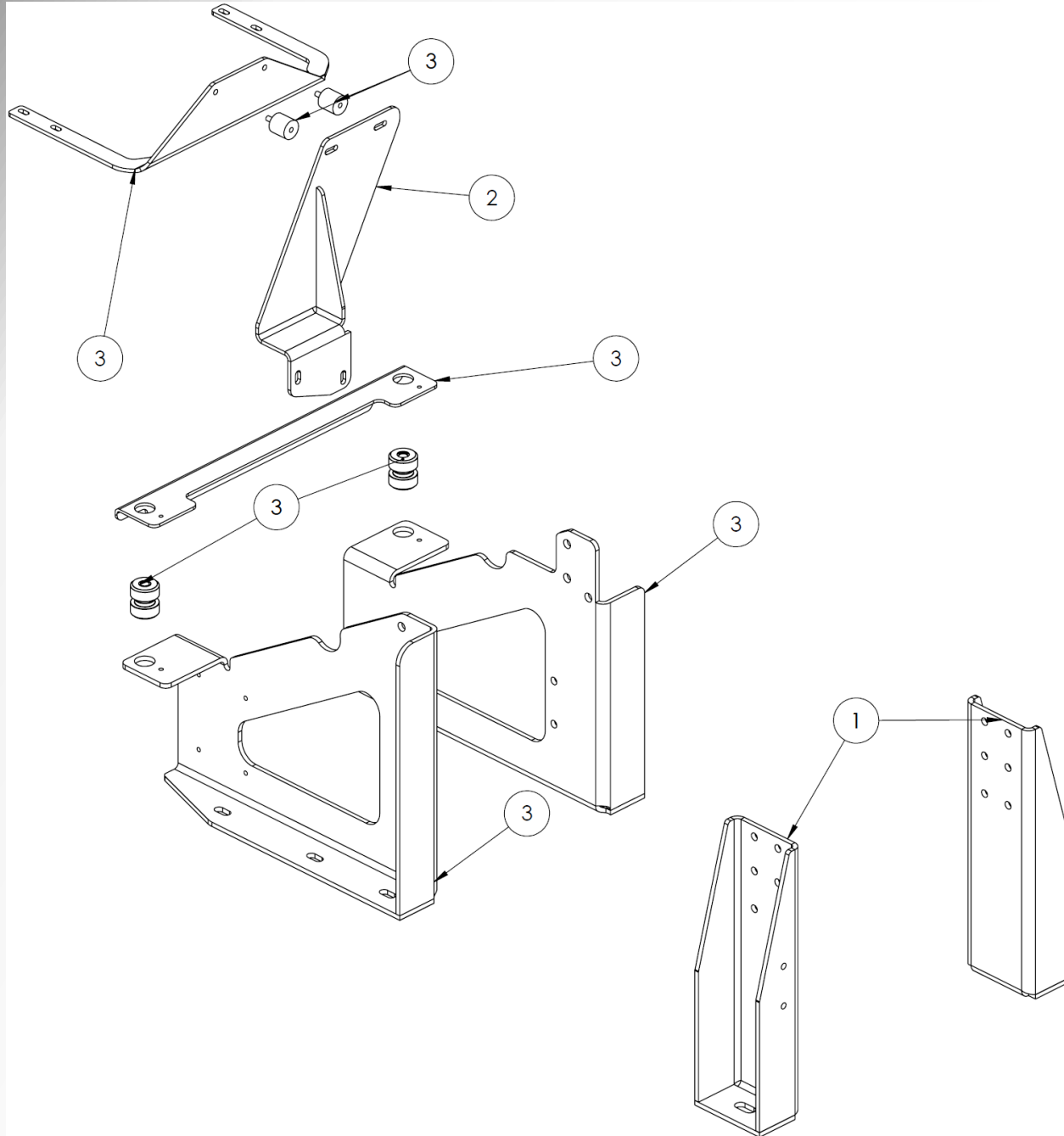
Electrical Group



Control Group



Engine Base – OPU

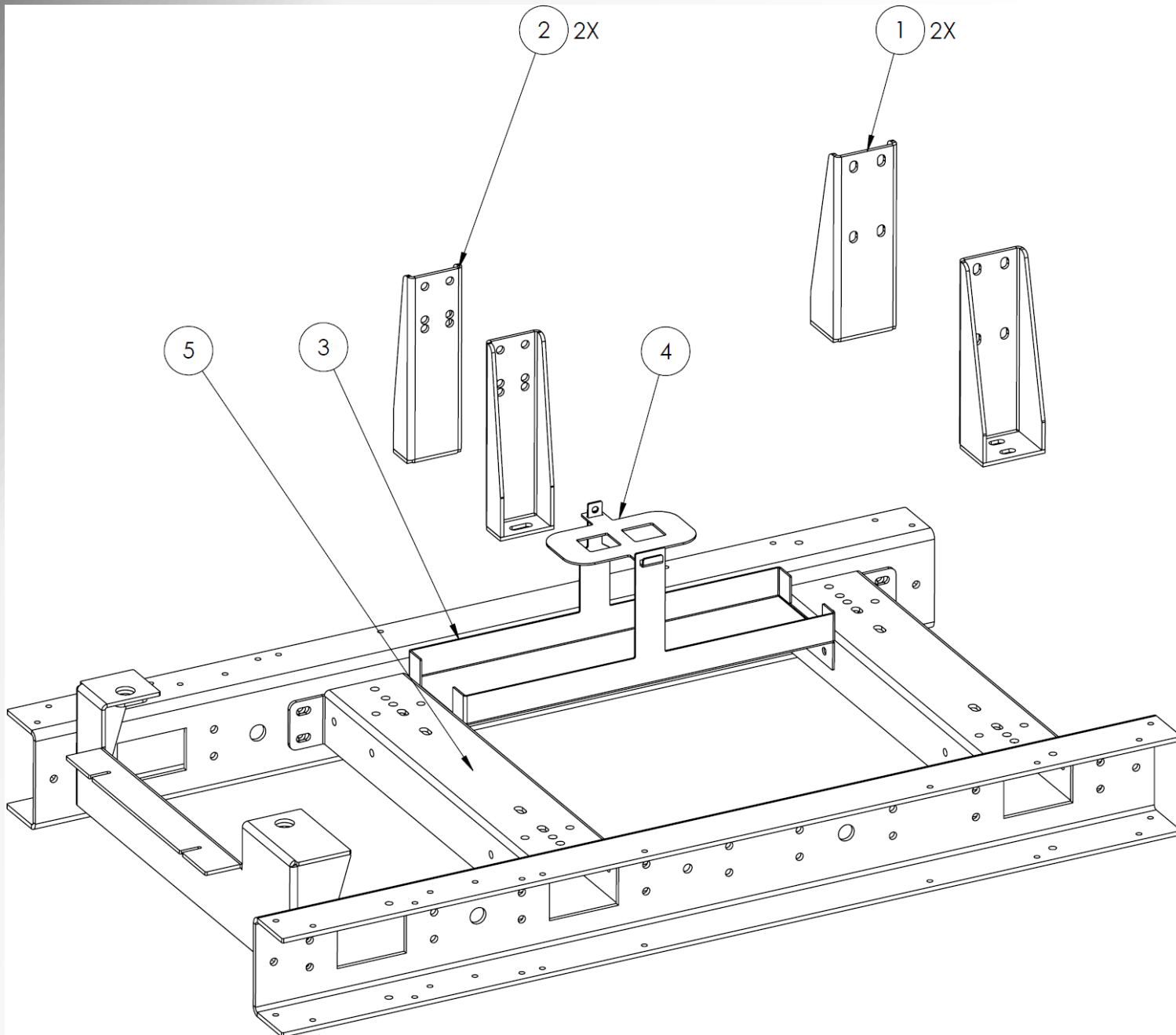


Engine Base – OPU

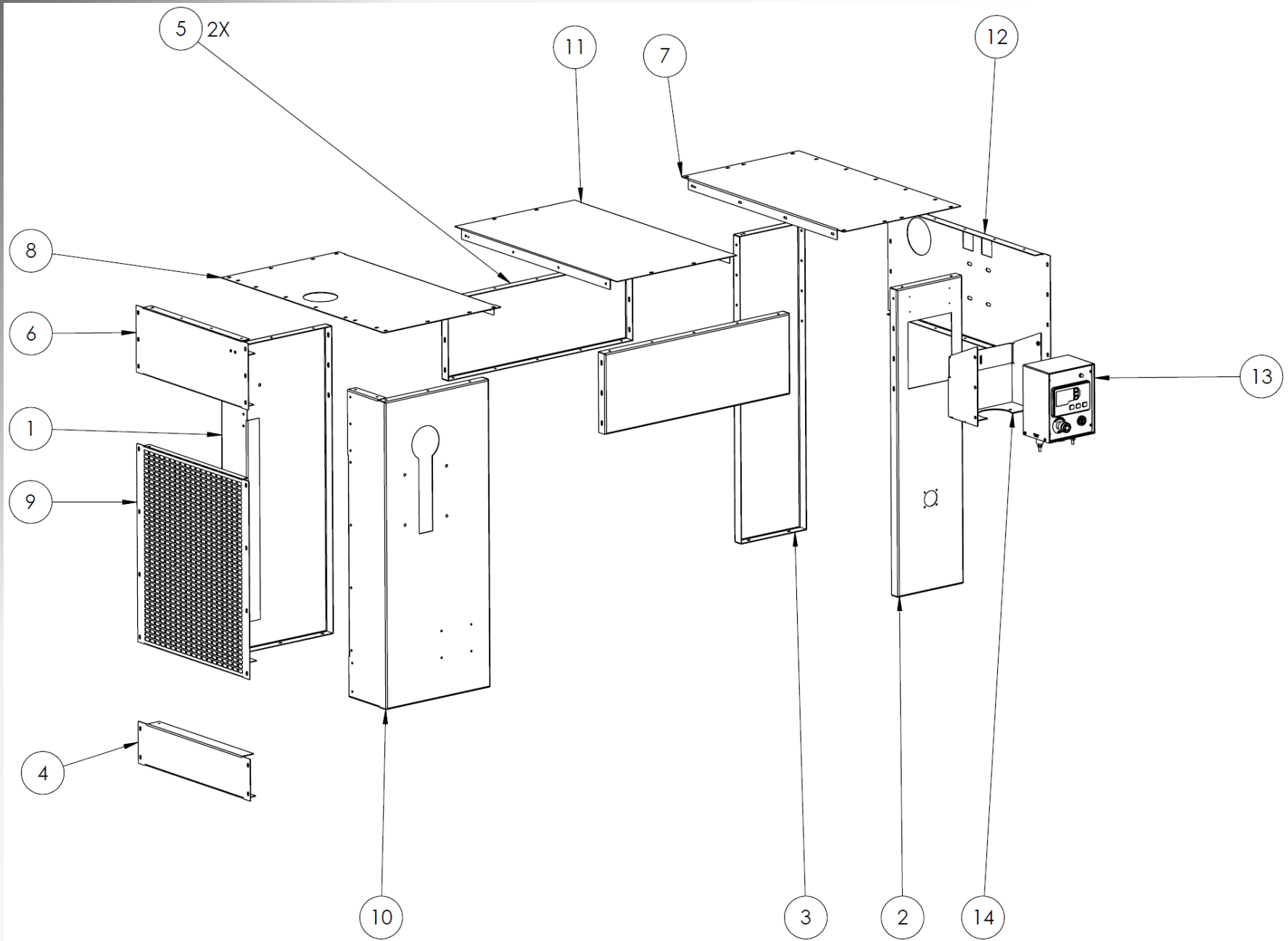


Item No	Part Number	Description	Qty
1	200792	REAR LEG	2
2	200055	UPPER RADIATOR BRACKET – ENGINE SIDE	1
3	201259	FRONT LEG MOUTING KIT	1
AVAILABLE FOR PURCHASE SEPARATELY			
	201488	UPPER ISOLATOR	2
	202995	LOWER ISOLATOR	2

Skid Base



Enclosure Panels

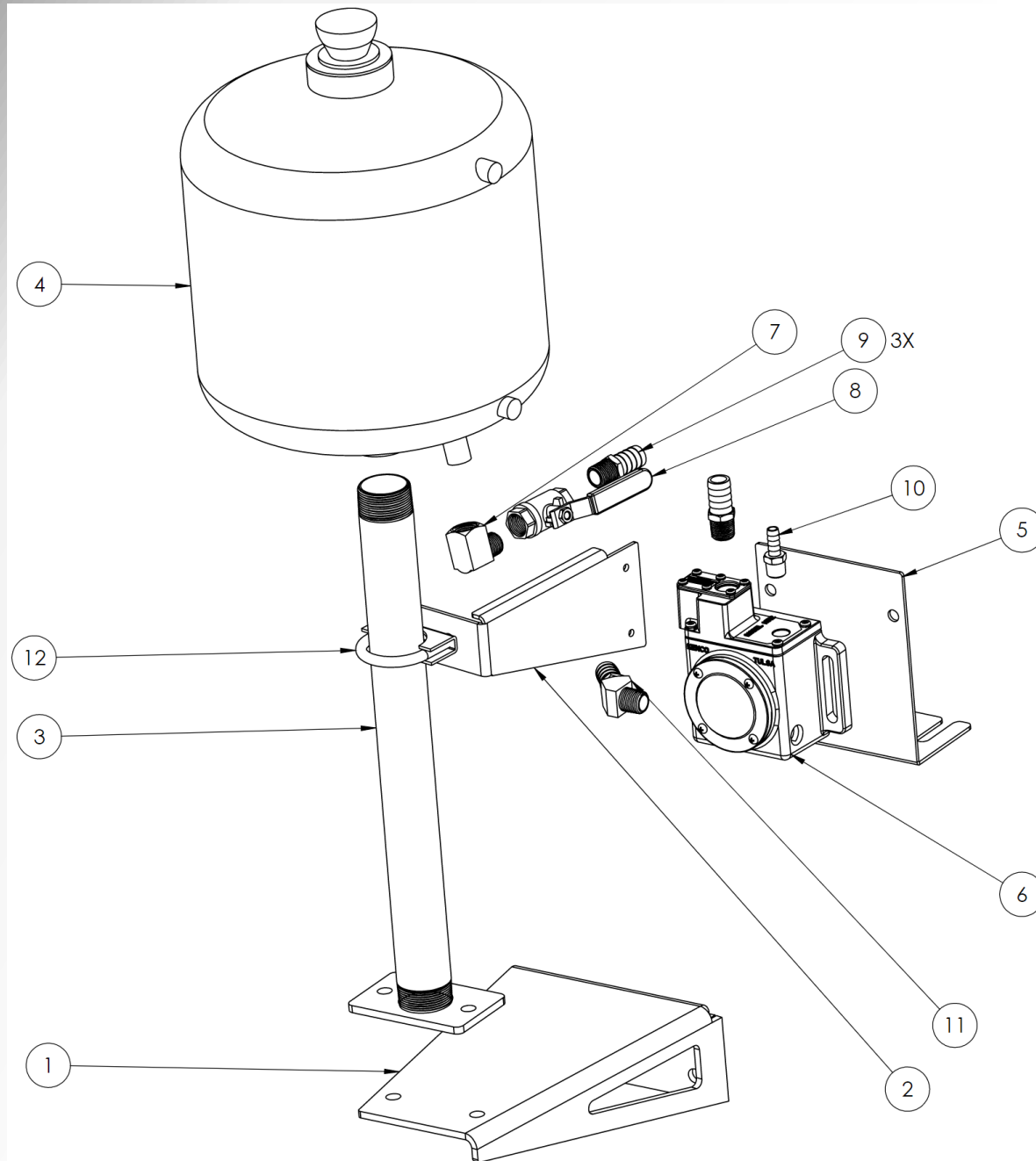


Enclosure Panels



Item No	Part Number	Description	Qty
1	200030	Front Passenger Panel	1
2	200031	Rear Driver Panel (Dynagen)	1
3	200028	Rear Passenger Panel	1
4	200032	Front Bottom Panel	1
5	200033	Side Panel	2
6	200035	Front Top Panel	1
7	200036	Rear Roof Panel	1
8	200037	Front Roof Panel	1
9	200038	Stone Guard	1
10	200029	Front Driver Panel	1
11	200292	Mid Roof Panel	1
12	203230	Back Panel	1
13	203810	Dynagen Lofa – TE410	1
14	200115	Saddle Bracket	1

Oil Leveler System



Oil Leveler System



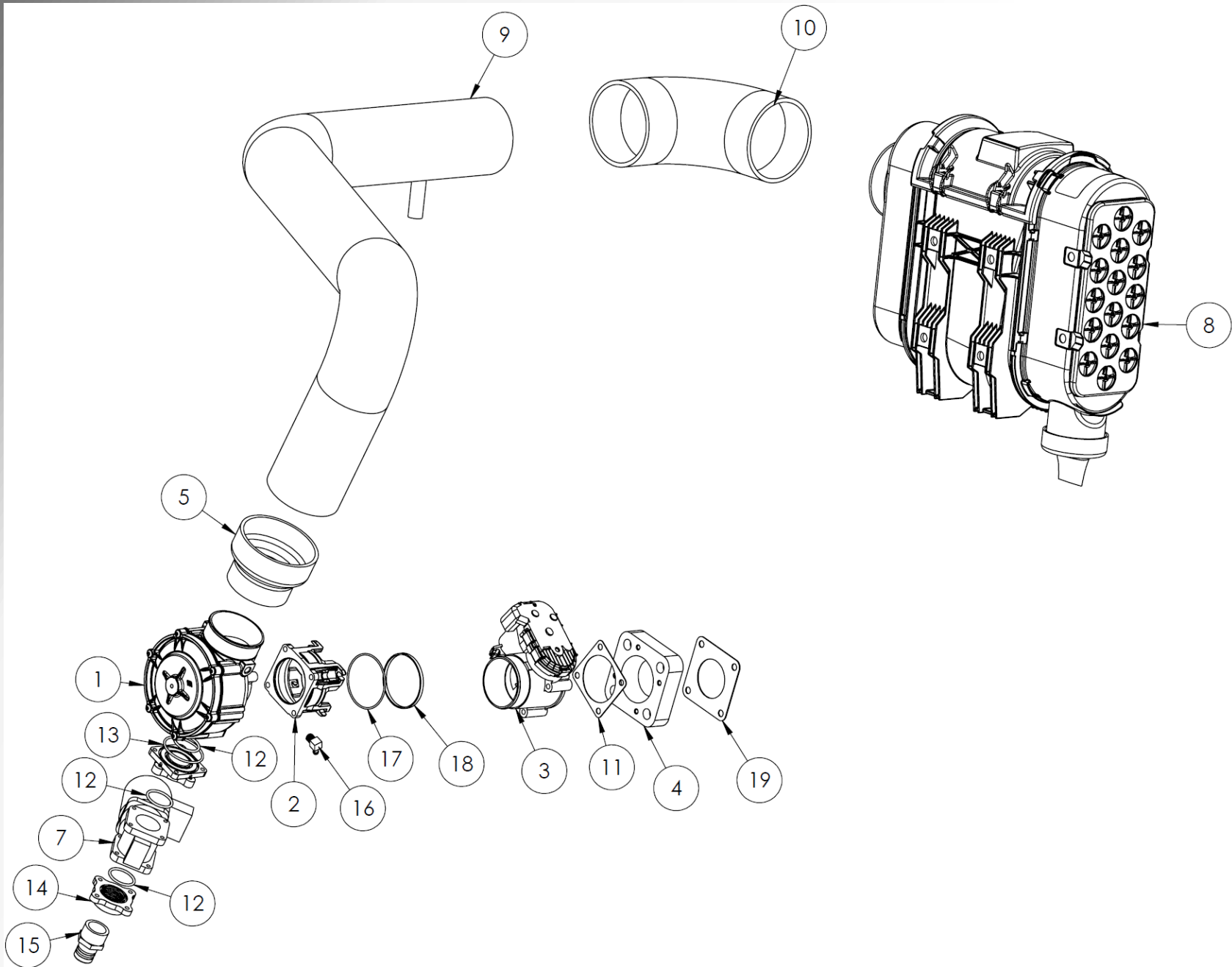
Item No	Part Number	Description	Qty
1	200080	OIL TANK BRACKET – LOWER	1
2	200082	OIL TANK BRACKET - UPPER	1
3	200021	OIL SUPPLY TANK STAND	1
4	200020	OIL SUPPLY TANK – 5 GAL	1
5	200191	BRASS ELBOW – 1/2NPT STREET ELL	1
6	200161	BRASS FITTING – 1/2NPT X 3/4 HOSE	6
7	201528	EXHAUST CLAMP: 2 IN	1
8	200081	OIL LEVELER BRACKET	1
9	200022	OIL LEVELER CONTROLLER	1
10	201728	BRASS FITTING – 3/8NPT X 3/8 HOSE	1
11	200162	BRASS FITTING – 1/2NPT STREET ELL 45	1
12	200165	BULKHEAD FITTING: 1/2 NPT	1
13	201806	ADAPTER: M16 X 1/2 NPT	1
14	200164	ELBOW: 1/2 NPT	2
15	200163	BRASS SHUT OFF VALVE	2
16	200075	ADAPTER: M18 X 1/2 NPT	1
17	201960	PIPE PLUG: 1/2 NPT	1
19	201739	BRASS FITTING: 3/8 HOSE X 1/8NPT	1
20	201679	BRASS STREET ELL: 1/8 NPT	1
21	202111	HOSE: 3/8 VACUUM (NOT PICTURED)	1 Ft
22	202119	HOSE: 3/4 OIL RATED (NOT PICTURED)	4 Ft

Cooling System



Item No	Part Number	Description	Qty
1	202162	FAN SPACER	1
2	201039	PUSHER FAN	1
3	201247	RADIATOR	1
4	201263	LOWER RADIATOR PIPE	1
5	201388	LOW COOLANT ALARM SWITCH	1
6	201262	UPPER RADIATOR PIPE	1
7	200694	INSERT REDUCER – 1.75 X 2	2
8	202129	STICK HOSE – 2” ID (13.5” LONG)	4
9	200055	UPPER RADIATOR BRACKET	1
10	200054	RADIATOR SUPPORT BRACKET	1
11	202995	ISOLATOR: RADIATOR LOWER MOUNT	2
12	201488	ISOLATOR: UPPER BRACKET	2
13	200011	OVERFLOW COOLANT TANK – 5QT	1
14	200070	BELT GUARD	1
15	200071	BELT GUARD - SIDE	1

Intake System - Enclosure

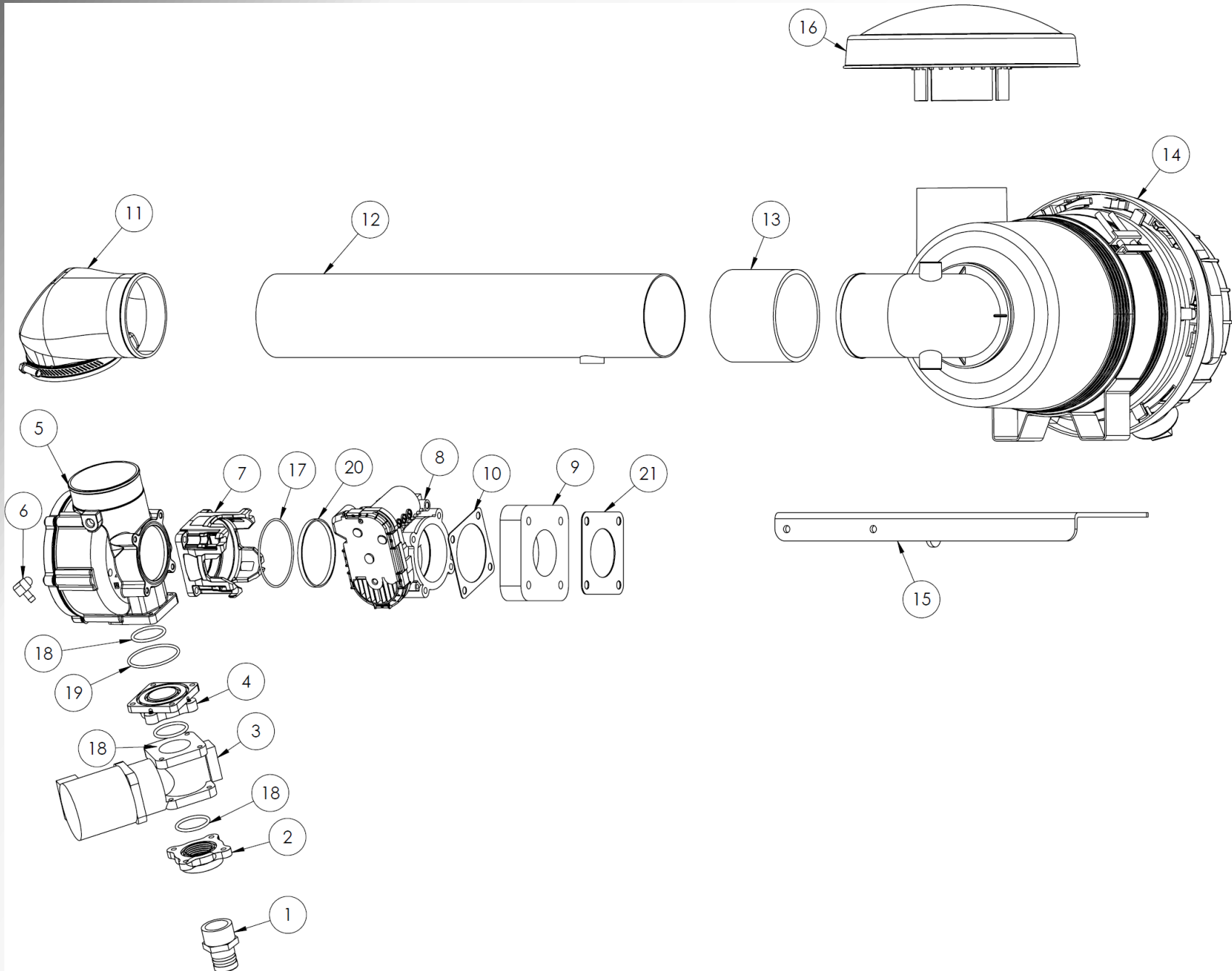


Intake System - Enclosure



Item No	Part Number	Description	Qty
1	200158	E330 MIXER WITH IDLE SCREW ADJUSTMENT	1
2	201465	ADAPTER – E330 TO THROTTLE BODY	1
3	200705	THROTTLE BODY	1
4	200851	ADAPTER – THROTTLE TO MANIFOLD	1
5	203707	SILICONE REDUCER: 4 X 3	1
6	203177	ADAPTER – MIXER TO TRIM VALVE	1
7	201476	FUEL CONTROL VALVE	1
8	202393	AIR CLEANER	1
9	203722	INTAKE PIPE	1
10	201053	RUBBER ELBOW: 4 IN – 90 DEG	1
11	202212	GASKET – THROTTLE BODY	1
12	203301	O-RING	3
13	203302	O-RING	1
14	203178	FLANGE – TRIM VALVE	1
15	201512	FITTING – 1” HOSE TO 1” NPT	1
16	201744	FITTING – 1/4” HOSE TO 1/8” NPT ELBOW	1
17	201950	O-RING – THROTTLE BODY ADAPTER	1
18	201466	SPACER RING – THROTTLE BODY ADAPTER	1
19	202905	GASKET – THROTTLE ADAPTER TO INTAKE MANIFOLD	1

Intake System - OPU

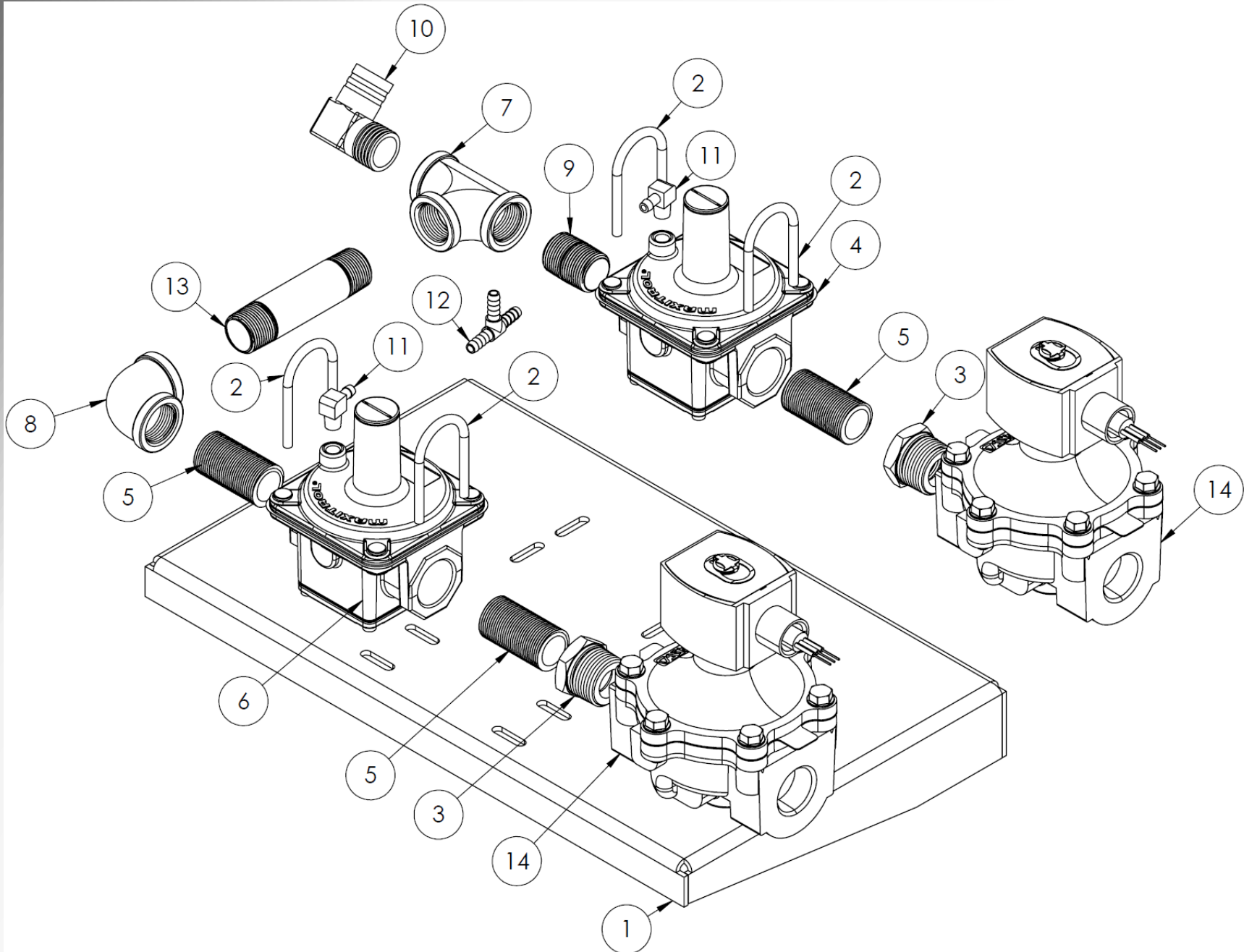


Intake System - OPU



Item No	Part Number	Description	Qty
1	201512	FITTING – 1" HOSE TO 1" NPT	1
2	203178	FLANGE – TRIM VALVE	1
3	201476	FUEL CONTROL VALVE	1
4	203177	ADAPTER – MIXER TO TRIM VALVE	1
5	200158	E330 MIXER WITH IDLE SCREW ADJUSTMENT	1
6	201744	FITTING – 1/4" HOSE TO 1/8" NPT ELBOW	1
7	201465	ADAPTER – E330 TO THROTTLE BODY	1
8	200705	THROTTLE BODY	1
9	200851	ADAPTER – THROTTLE TO MANIFOLD	1
10	202212	GASKET – THROTTLE BODY	1
11	200181	COBRA ELBOW - 3 1/2"	1
12	200812	INTAKE PIPE - OPU	1
13	201032	RUBBER COUPLING - 3 1/2"	1
14	202184	AIR CLEANER	1
15	200788	AIR CLEANER BRACKET	1
16	201010	RAIN CAP	1
17	201950	O-RING	1
18	203301	O-RING	3
19	203302	O-RING	1
20	201466	SPACER RING	1
21	202905	GASKET – THROTTLE ADAPTER TO INTAKE MANIFOLD	1

Bi-Fuel System

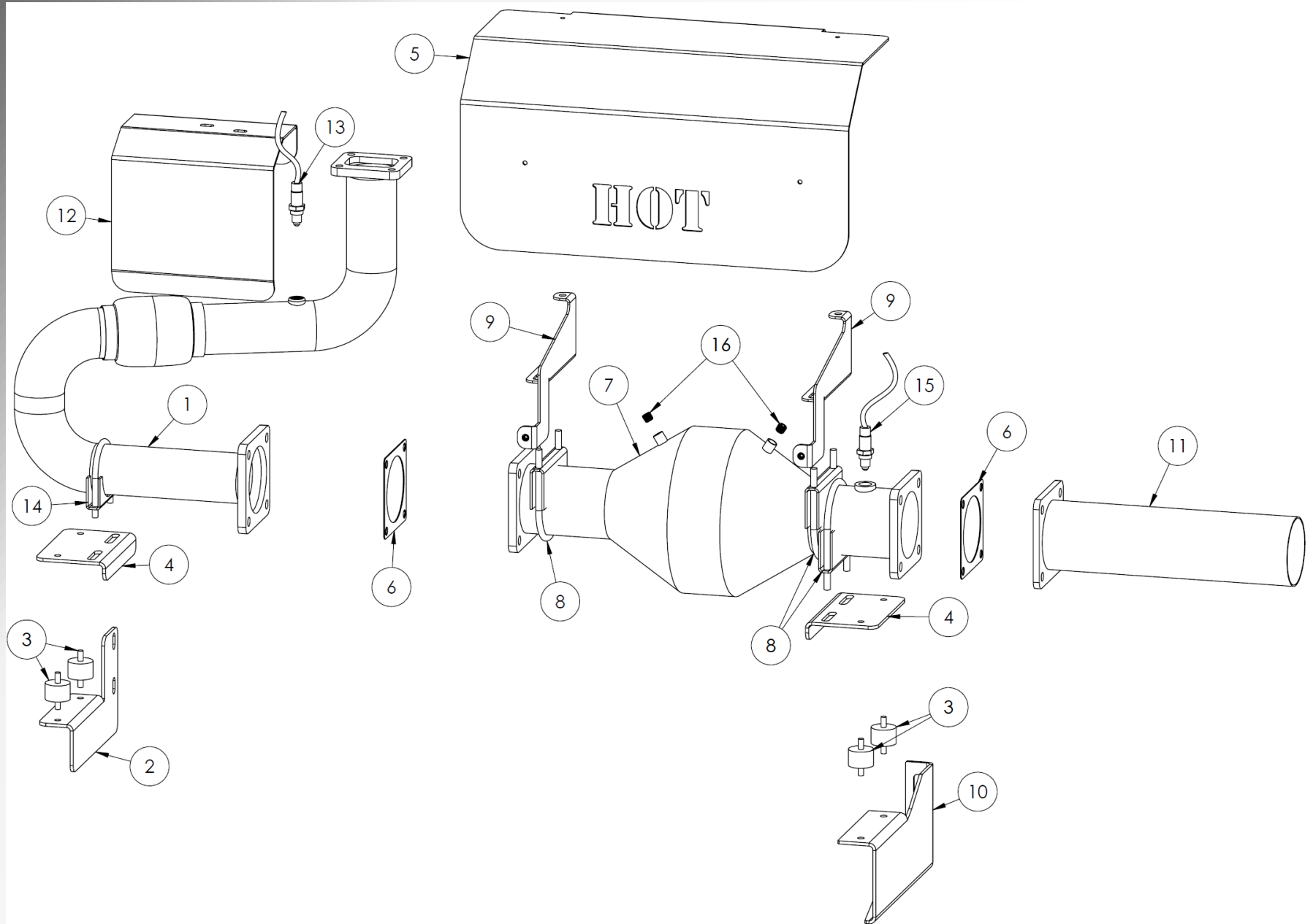


Bi-Fuel System



Item No	Part Number	Description	Qty
1	203755	BRACKET: BI-FUEL ONLY	1
2	200855	U-BOLT	4
3	201770	REDUCING BUSHING - 1 NPT - 3/4 NPT	2
4	201424	R600S REGULATOR - 3/4 NPT	1
5	201775	NIPPLE - 3/4 X 2 LONG	3
6	201421	R600SZF REGULATOR - 3/4 NPT	1
7	201777	PIPE TEE - 3/4 NPT	1
8	201685	ELBOW - 3/4 NPT	1
9	200008	NIPPLE - 3/4 X 1.375 LONG	1
10	201510	FITTING - ELBOW: 3/4 NPT X 1 HOSE	1
11	201744	FITTING - ELBOW: 1/8 NPT X 1/4 HOSE	2
12	203729	VACUUM TEE - 1/4 IN	1
13	203030	NIPPLE - 3/4 X 4 LONG	1
14	201471	LOCK-OFF - 1 IN	2

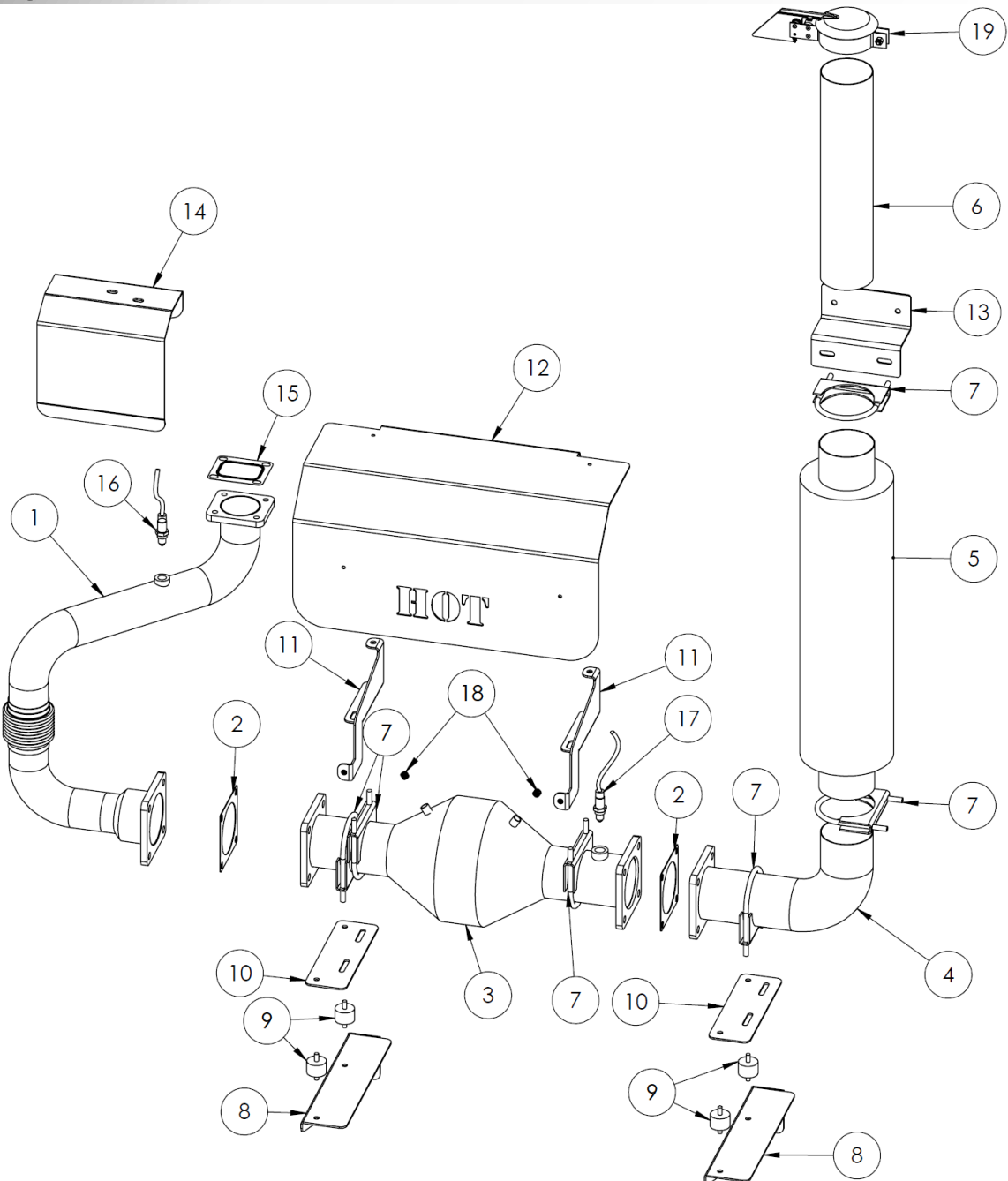
Exhaust System – OPU



Exhaust System – OPU

Item No	Part Number	Description	Qty
1	201454	PRE-CAT PIPE - OPU	1
2	203508	EXHAUST SUPPORT - FRONT LEG	1
3	201487	HIGH TEMP STUD MOUNT ISOLATOR	4
4	200774	EXHAUST ISOLATOR BRACKET	2
5	202177	HEAT SHIELD - CATALYST	1
6	200875	CATALYST GASKET	2
7	200499	CATALYST	1
8	201532	EXHAUST PIPE CLAMP	3
9	200777	HEAT SHIELD BRACKET	2
10	200775	EXHAUST SUPPORT - REAR	1
11	201458	POST CAT PIPE - OPU	1
12	200789	HEAT SHIELD - STARTER	1
13	200474	O2 SENSOR: PRE CATALYST	1
14	201531	EXHAUST PIPE CLAMP	1
15	201280	O2 SENSOR: POST CATALYST	1
16	202970	PIPE PLUG - 1/4 NPT	2

Exhaust System – Enclosure



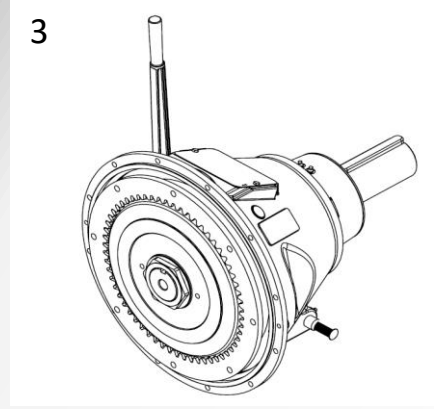
Exhaust System – Enclosure

Item No	Part Number	Description	Qty
1	202227	PRE-CAT PIPE - ENCLOSURE	1
2	200875	CATALYST GASKET	2
3	200499	CATALYST	1
4	203718	POST-CAT PIPE - ENCLOSURE	1
5	202148	MUFFLER	1
6	200167	TAIL PIPE - ENCLOSURE	1
7	201532	EXHAUST PIPE CLAMP	6
8	200072	EXHAUST SUPPORT BOTTOM BRACKET	2
9	201487	HIGH TEMP STUD MOUNT ISOLATOR	4
10	200073	EXHAUST SUPPORT TOP PLATE	2
11	200777	HEAT SHIELD BRACKET	2
12	202177	HEAT SHIELD - CATALYST	1
13	203716	MUFFLER BRACKET	1
14	200789	HEAT SHIELD - STARTER	1
15	200877	T4 FLANGE GASKET	1
16	200474	O2 SENSOR: PRE CATALYST	1
17	201280	O2 SENSOR: POST CATALYST	1
18	202970	PIPE PLUG - 1/4 NPT	2
19	202147	RAIN CAP	1

Miscellaneous Parts



1



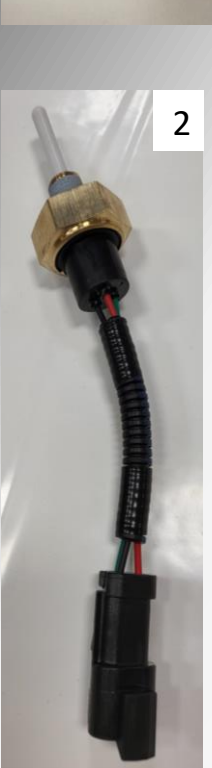
3



7



11



2



4



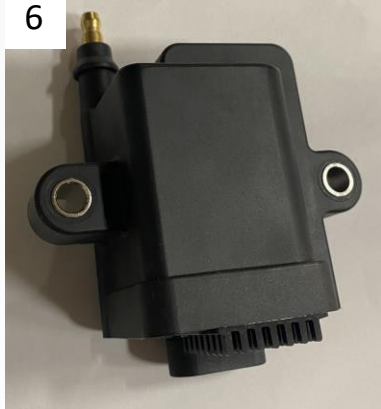
8



9



5



6



10

Miscellaneous Parts



Item No	Part Number	Description	Qty
1	202503	PLUG WIRE SET	1
2	201388	LOW COOLANT ALARM SWITCH	1
3	200015	PTO: SAE #3 PILOTLESS	1
4	202977	MOTOSERVICE DIAGNOSTIC KIT	1
5	201390	OIL PRESSURE SENSOR	1
6	201375	IGNITION COIL: 12V	6
7	200114	DYNAGEN INTERMEDIATE HARNESS	1
8	200119	DYNAGEN AUXILIARY HARNESS	1
9	203408	BATTERY CABLE - POSITIVE	1
10	203409	BATTERY CABLE - NEGATIVE	1
11	203344	OIL DRAIN VALVE	1
1	200613	SPARK PLUG	6
13	202071	ECU / RELAY BOX BRACKET	1
14	201482	ISOLATOR – ECU BRACKET	2
15	200765	COIL BRACKET	1

Service Kits



Kit No.	Contains	Description	Qty
203516		OVERHAUL KIT	
	202657	CYLINDER LINER	6
	202746	RETAINER – PISTON PIN	12
	202747	PISTON PIN	6
	202748	TOP PISTON RING	6
	202749	COMPRESSION RING	6
	202750	OIL CONTROL RING	6
	202751	PISTON	6
	204228	UPPER GASKET KIT	1
	204368	BEARING SET	1
204368		BEARING SET	
	202744	ROD BEARING – UPPER	6
	202745	ROD BEARING – LOWER	6
	202752	THRUST BEARING	1
	202753	MAIN BEARING - LOWER	7
	202754	MAIN BEARING – UPPER	6

Kit No.	Contains	Description	Qty
204228		UPPER GASKET KIT	
	200610	GASKET - EXHAUST MANIFOLD	6
	202348	GASKET – WATER PUMP	1
	202464	GASKET - VALVE COVER	1
	202702	GASKET – HEAD	1
	202702	GASKET – HEAD	1
	202729	SEAL – SPARK PLUG TUBE	6
	202826	GASKET - INTAKE MANIFOLD	1
	202860	GASKET – WATER PUMP INLET GASKET	1
	202905	GASKET - THROTTLE ADAPTER TO INTAKE MANIFOLD	1
204367		LOWER GASKET KIT	
	202782	SEAL – REAR MAIN	1
	202810	SEAL – FRONT CRANK	1
	202831	GASKET – OIL COOLER	1
	202832	GASKET – OIL COOLER GASKET	1
	202844	GASKET – OIL PUMP	1
	202849	GASKET – OIL PUMP	1

Service Kits



Kit No.	Contains	Description	Qty
204224		CYLINDER HEAD REBUILD KIT	
	202702	GASKET - CYLINDER HEAD	1
	202701	VALVE INTAKE	12
	202699	VALVE EXHAUST	12
	202700	VALVE SEAT - INTAKE	12
	202690	VALVE SPRING	24
	202691	VALVE COLLET	48
	202693	VALVE BRIDGE, INTAKE	12
	202696	BOLT - CYLINDER HEAD	26
	200610	GASKET, EXHAUST MANIFOLD	6
	202692	VALVE SPRING RETAINER	24
	202464	GASKET - VALVE COVER	1
	202689	VALVE STEM SEAL	24
	203923	CYLINDER HEAD	1
	202698	VALVE SEAT - EXHAUST	12
	202826	GASKET - AIR INTAKE PIPE	1
	203808	VALVE GUIDE	24